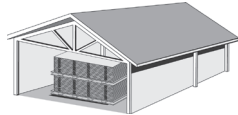


# Installation Guide Plycem Residential Subfloor

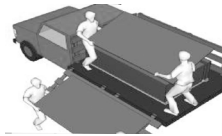
Plycem Residential Subfloor 20mm board is a cement board that is resistant to impact and moisture with high capacity to the requirements of a subfloor system. It is 122 cm wide and 244 cm long. It is a residential subfloor board.

## Transportation, storage and handling

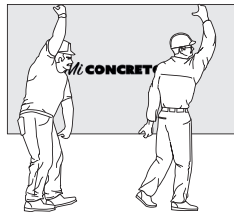
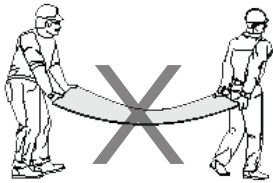
Store always the panels indoors in ventilated and dry areas. Do not expose the panels to the outside. In flat surfaces, stack them on pieces of wood (do not leave them directly on the ground).



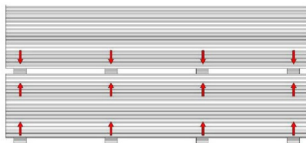
Shall always be carried by at least 2 persons. Transport them covered.



Handling of boards :

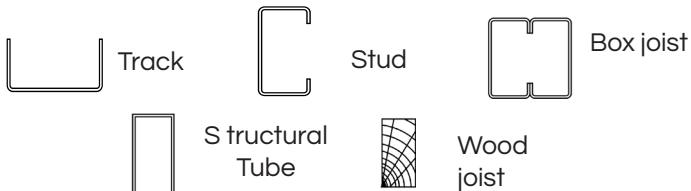


Correct storage:

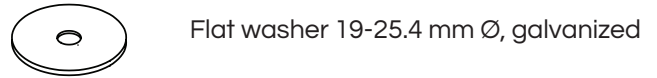
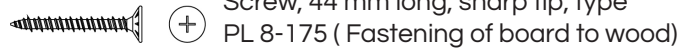
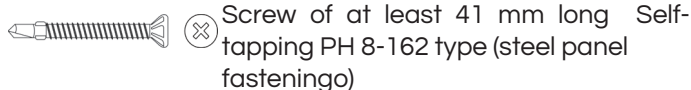


Note: The maximum number of boards to be stacked per pallet is 50 and no more than 3 pallets in height

## Structural elements



## Fastenings



## Surface preparation for finishing



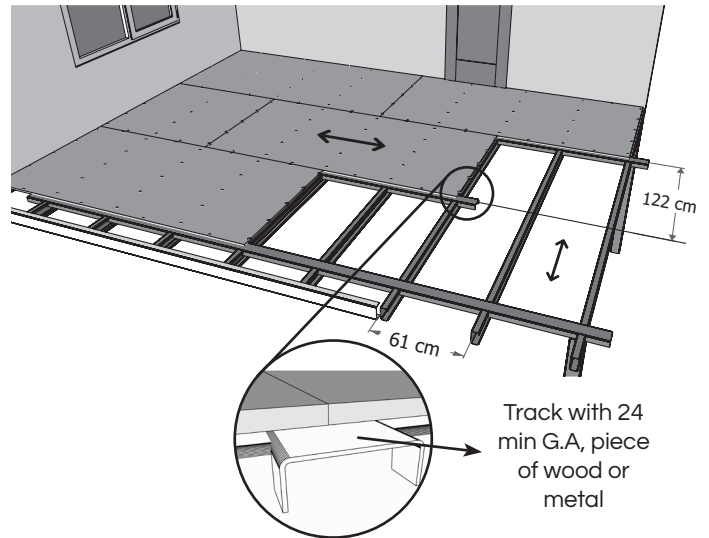
(Geotextil NT 1600)



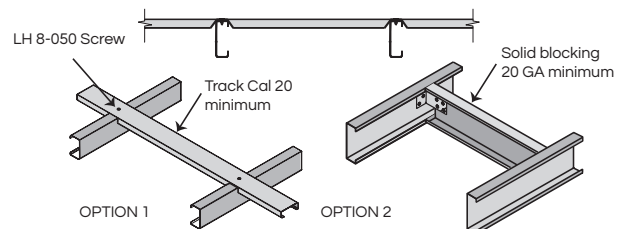
Lanco Acrylic Adhesive

## Installation of structure and panels

1. Maximum joist spacing: 61 cm.
2. Boards are always placed with their long dimension in direction perpendicular to the position of the floor joists.
3. Place longitudinal support at each board width (122 cm max)

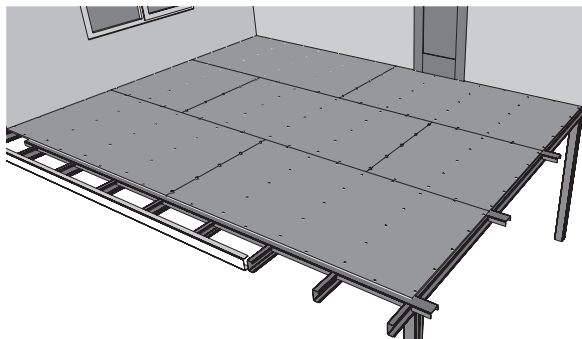
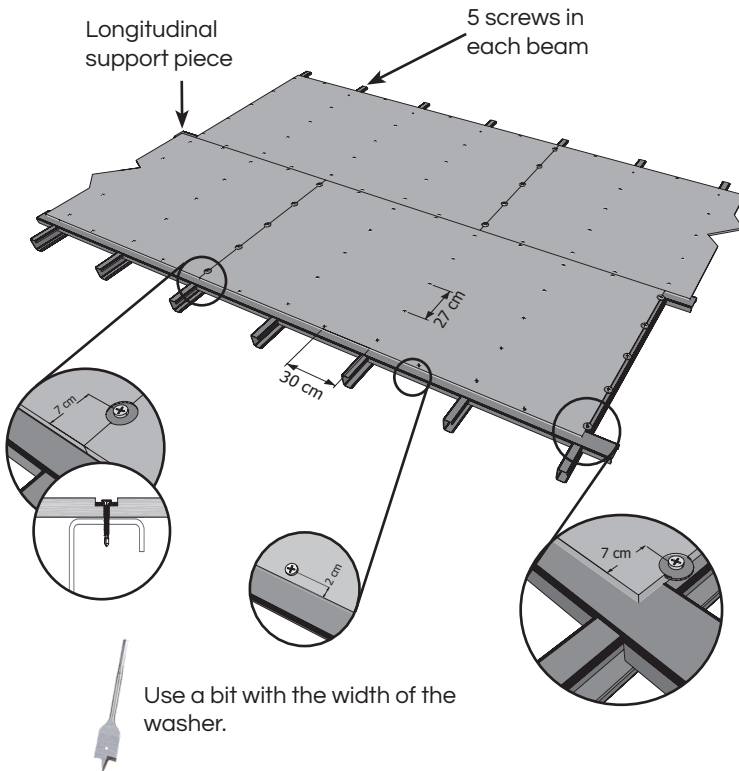


## Straight edge

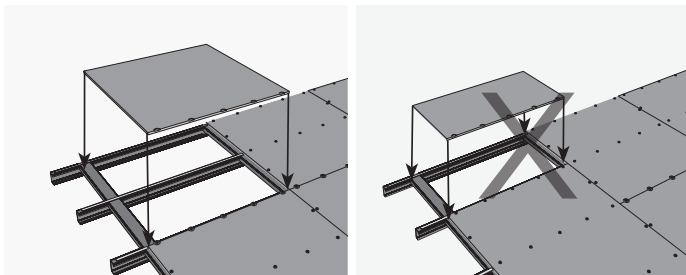


# Installation Guide Plycem Residential Subfloor

## Distribution of screws



Make sure that every section of board is fastened on at least 3 supports, and therefore its length is greater than 61 cm



RIGHT

WRONG

## Installation of finishes:

Different types of finishes can be applied, such as carpet, laminate flooring or ceramic tile flooring.

### • Types of finishes

- Carpet flooring: Waterproof the surface well before installation.
- Laminate flooring: Follow manufacturer's instructions. This floor usually has an underfloor polyethylene insulation (Prodex or similar).
- Ceramic tile flooring: Follow the steps below.

1- Clean the surface from dust, waste or dirt.



2- Apply the acrylic adhesive (Lanco SUPREME or similar) on the surface of the Mi Concreto board, using a smooth trowel or trowel, leaving a thin waterproofing layer.



3- Immediately place the geotextil and extend it without leaving any overlapped section or folds on the surface. Press it down with the trowel.

Allow to dry thoroughly, making sure that the geotextile is completely adhered to the entire surface.



4- Proceed to glue the ceramic tiles with cement-based mortar.



| Total Allowable Loads (kg/m <sup>2</sup> ) |     |
|--------------------------------------------|-----|
| Joist spacing (cm)                         |     |
| 40,6                                       | 905 |
| 61                                         | 269 |

| Tolerance |       |           | Apparent density       |
|-----------|-------|-----------|------------------------|
| Length    | Width | Thickness |                        |
| ±2        | ±2    | ±0.6      | 1.08 g/cm <sup>3</sup> |

|                  |         |
|------------------|---------|
| Weight per board | 67.4 kg |
|------------------|---------|