



PLYCEM SIDING INSTALLATION GUIDES



IMPACT RESISTANT



LIGHTWEIGHT



PLAGUE RESISTANT



WEATHER RESISTANT



NON COMBUSTIBLE



THERMAL AND ACOUSTIC COMFORT



EASY TO INSTALL



ARCHITECTURAL

Installation guide **PLYCEM** **TONGUE AND GROOVE SIDING**



IMPACT
RESISTANT



LIGHTWEIGHT



PLAGUE
RESISTANT



WEATHER
RESISTANT



NON
COMBUSTIBLE



THERMAL AND
ACOUSTIC COMFORT

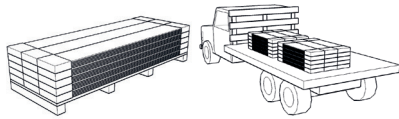


EASY TO
INSTALL



ARCHITECTURAL

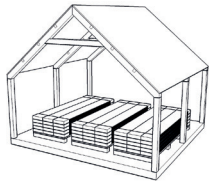
TRANSPORTATION



The Plycem Tongue and Groove Siding should be transported on a solid and flat platform, with moisture protection.

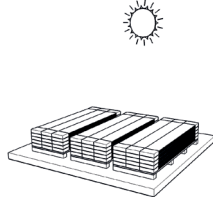
STORAGE AND HANDLING

RIGHT



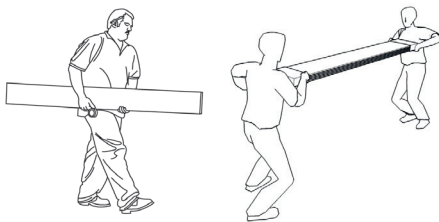
The Plycem Tongue and Groove Siding should be kept covered and dry. It should be stored on clean pallets on the floor.

WRONG



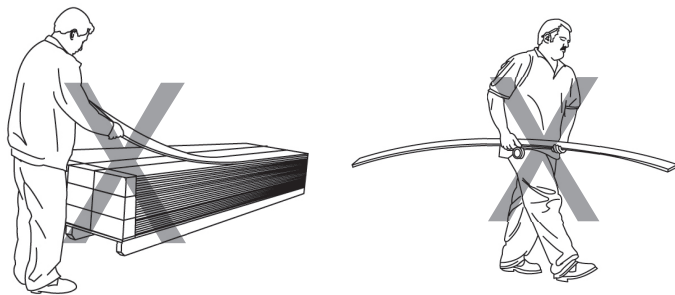
Protect the Plycem Tongue and Groove Siding from direct exposure to outdoors. Do not install it if wet or saturated with water.

HANDLING

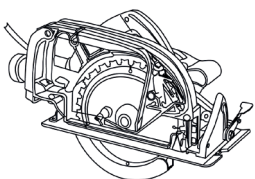


Each pack of Siding should be horizontally carried by two people. Protect the edges and corners to prevent them from breaking. Transport the Plycem tongue and groove Siding by middle of its narrow edge.

WRONG HANDLING



CUTTING INSTRUCTIONS



Place the cutting station in a ventilated area. Reduce dust with a circular saw equipped with a vacuum system and dust collector. Never use water when cutting. Use personal dust protection equipment which should be properly adjusted.

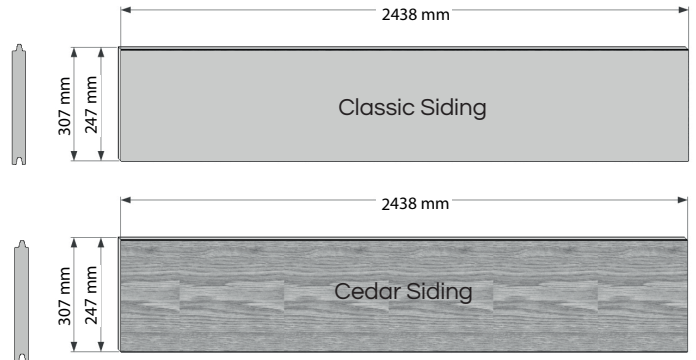
SYSTEM COMPONENTS

Plycem Tongue and Groove Siding boards for walls and ceilings with wood texture or smooth that give an architectural detail that rescues the tradition of wood, but with the resistance of cement.

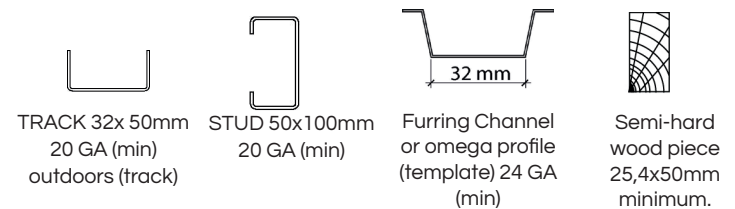
Plycem Tongue and Groove Siding

The Plycem Tongue and Groove Siding pieces are made from cement reinforced with cellulosic fibers. They have a smooth or cedar texture. They are 14mm thickness, and 247mm or 307mm wide, and 2438mm long (ask for minimum production quantity and available stock).

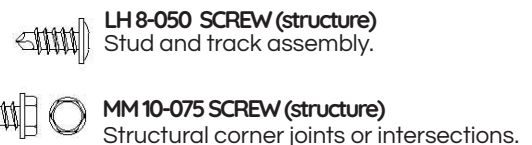
For tongue and groove siding technical data sheets please visit www.plycem.com



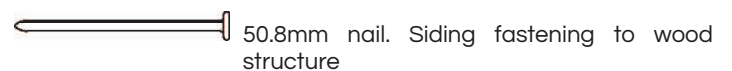
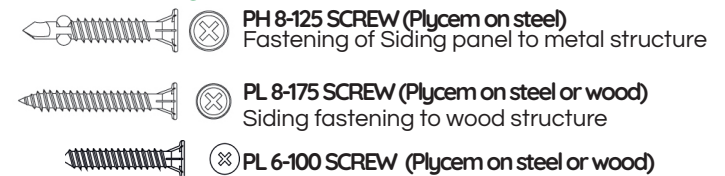
Structure



Fastening



Blind fastenings



Exposed fastening



FINISHING PRODUCTS



PAINT

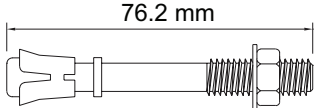


FILLER

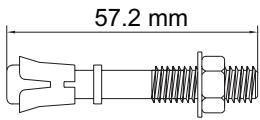


POLYURETHANE
SIKAFLEX 15 LM, 1APlus OR
THE LIKE

STRUCTURE FASTENING TO FLOOR



EXPANSION ANCHOR
76.5mm (3")



EXPANSION ANCHOR
50mm (2") x Ø 6mm (1/4")



POWDER ACTUATED DRIVE PIN
254 mm(1")

TOOLS



SCREW DRIVER



CAULKING GUN



AIR NAILER



ROLLER



MEASURING TAPE



RASP



BRUSH



PUTTY KNIFE



CIRCULAR SAW WITH
DIAMOND BLADE



LEVEL STRING ROPE



CONSTRUCTION LEVEL

INSTRUCTIONS FOR INSTALLATION ON
LIGHTWEIGHT WALL

The metal frame shall be 20 Ga, with a maximum space of 610 mm o.c. A moisture barrier (Building Wrap) shall be installed on the structure on external walls.



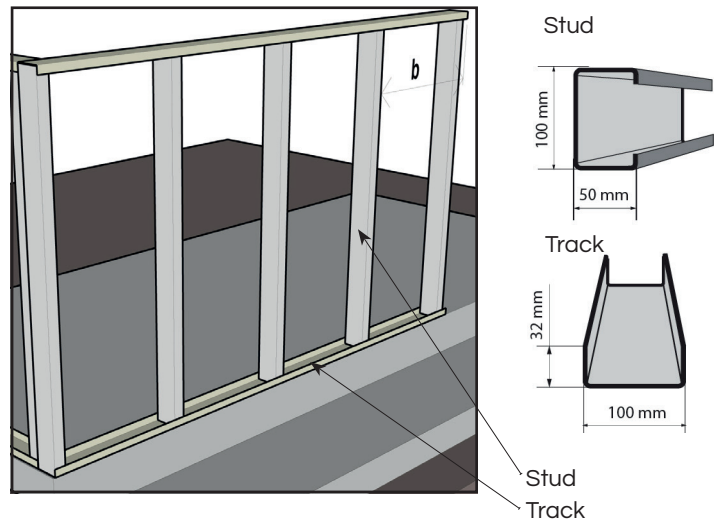
HOME GUARD



BUILDING WRAP

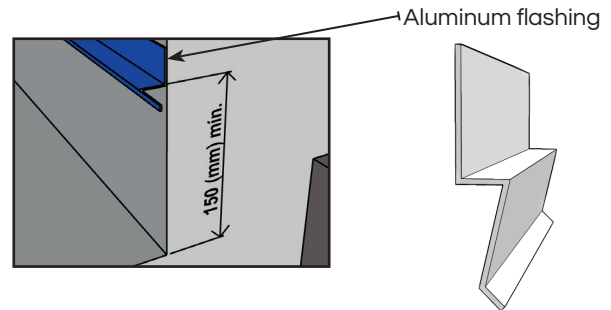
STEP 1

Assemble the structure, with track and stud.



STEP 2

Install the aluminum flashing to level the pieces of Siding.

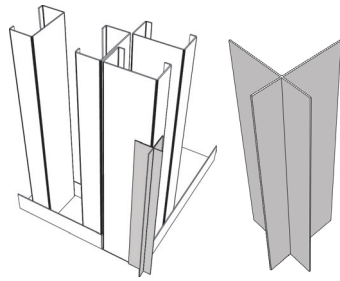


Note: A base board (minimum Plycem 6mm) must be used as a substrate for the exterior Siding in buildings with a height greater than 5 m. The rest of the installation applies in accordance with this guide.

Install the metal reveal for corners on the corner made by the studs.

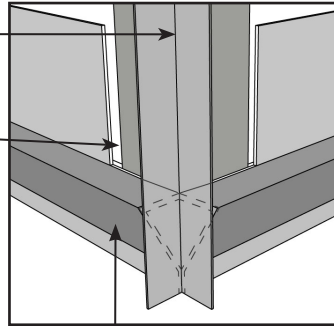
The metal corner goes through the two pieces of the reveal for corners.

The flashing is cut on a section on the vertical rear section for it to match the aluminum corner.

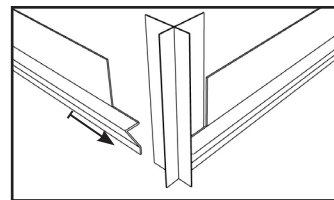


Fastening of corner to stud

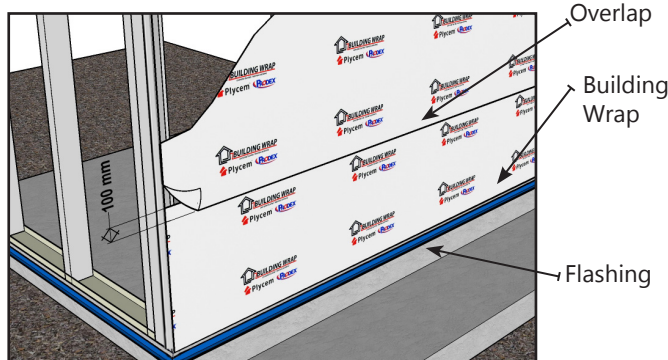
Aluminum reveal for corners



Aluminum flashing



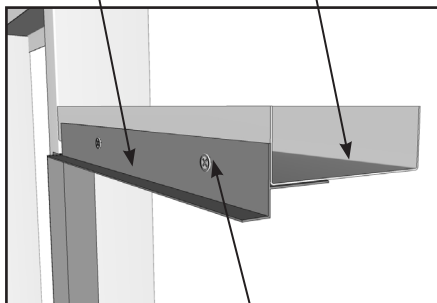
Install the Building Wrap, from left to right, from bottom to top, keeping a 100 mm overlap. Make sure that the moisture barrier remains on the flange of the flashing and aluminum corner.



Install the lateral and upper edge of windows and doors.

Aluminum reveal for window and doors edges

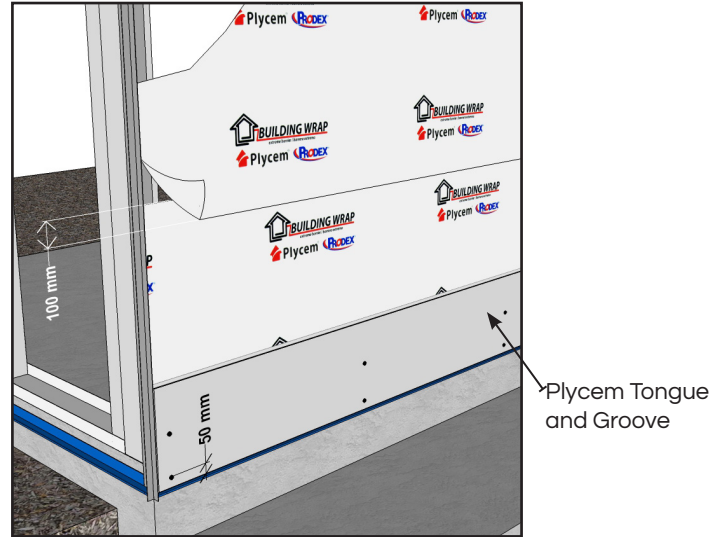
Structure



LH8-050 screw @ 610 mm

Note: Painting the edges of the pieces before starting the installation.

Install the first piece of tongue and groove Siding from left to right, and continue this way with the rest of the first line.



Note: The position of the Siding pieces is always with the tongue joint on top and the right. The groove joint will be on the left and on the bottom of the piece.

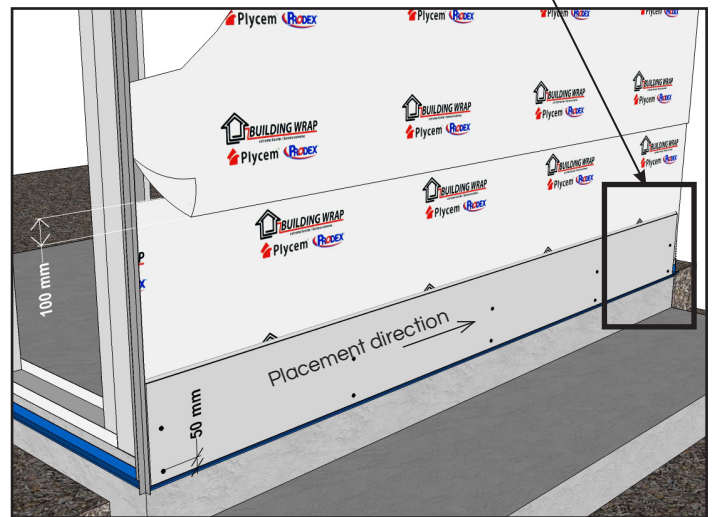
STEP 7

Install the following siding pieces. This should be done from left to right, from bottom to top alternating the vertical joint (staggered) at least 610 mm.

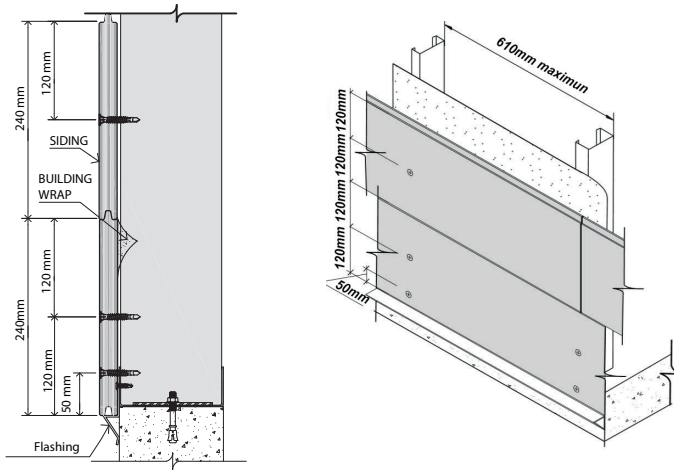
Note: Only the first line is reinforced with two screws (this only applies to 24 cm Siding).

In case a continuous vertical joint is required, ask the Plycem Technical Department about the construction details.

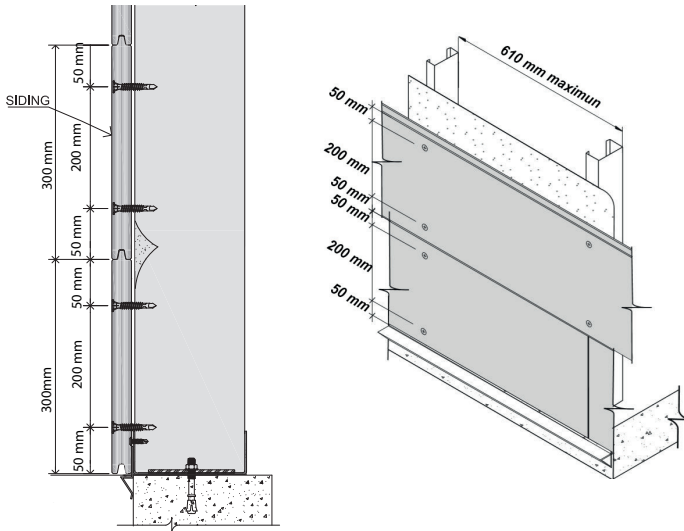
See detail of 300mm and 240 mm siding fastening



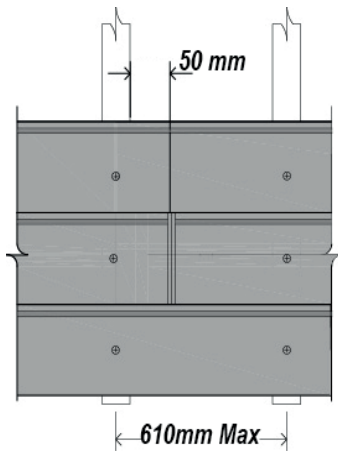
DETAIL OF 240 mm AND 300mm SIDING FASTENING



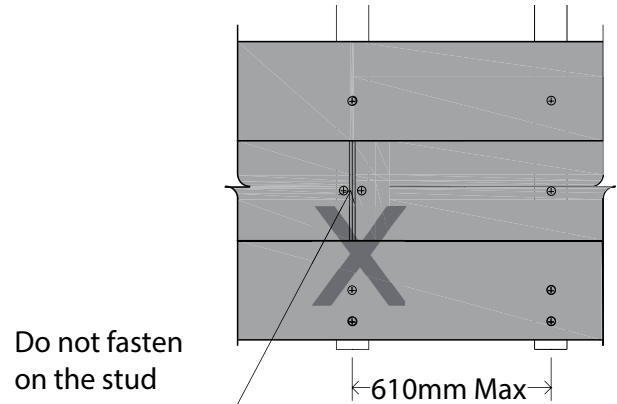
300 mm Siding



SIDING FASTENING

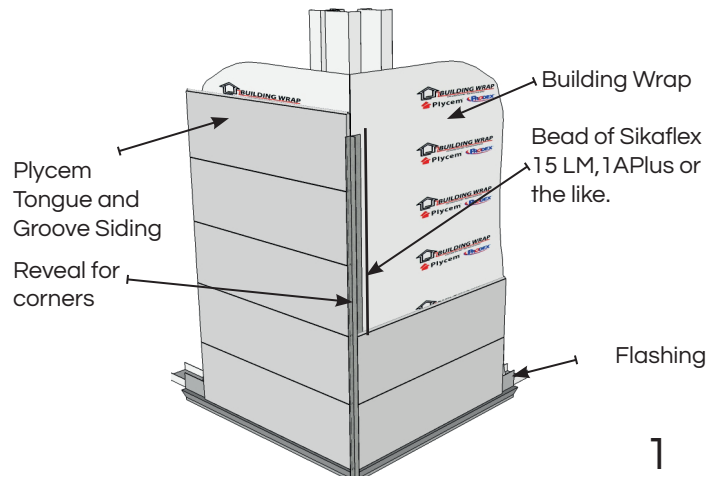


WRONG FASTENING



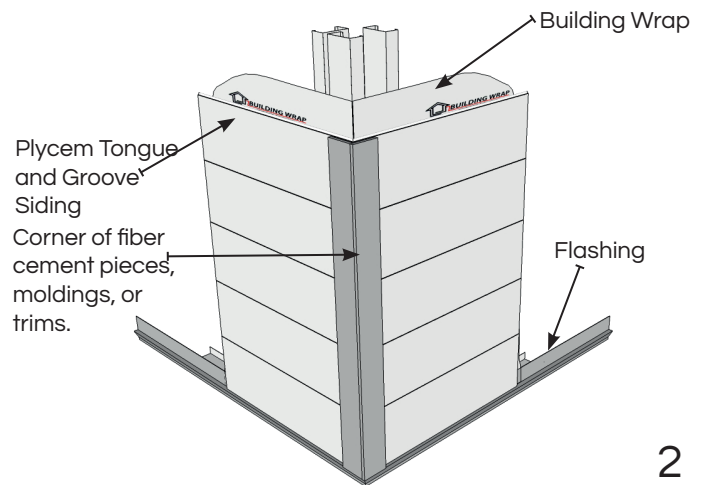
INSTALLATION OF CORNERS

Metal reveal

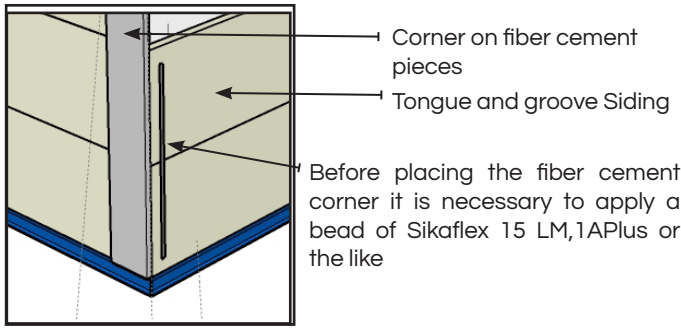


The metal reveals are first placed on the structures.

Fiber cement corner

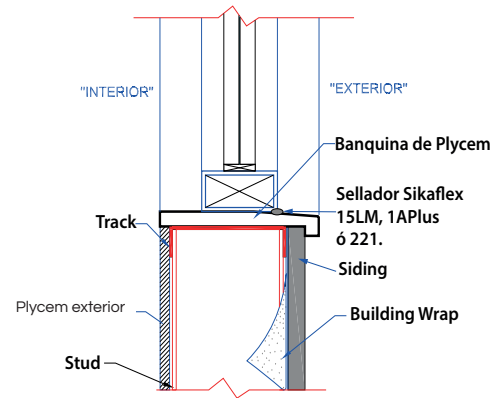
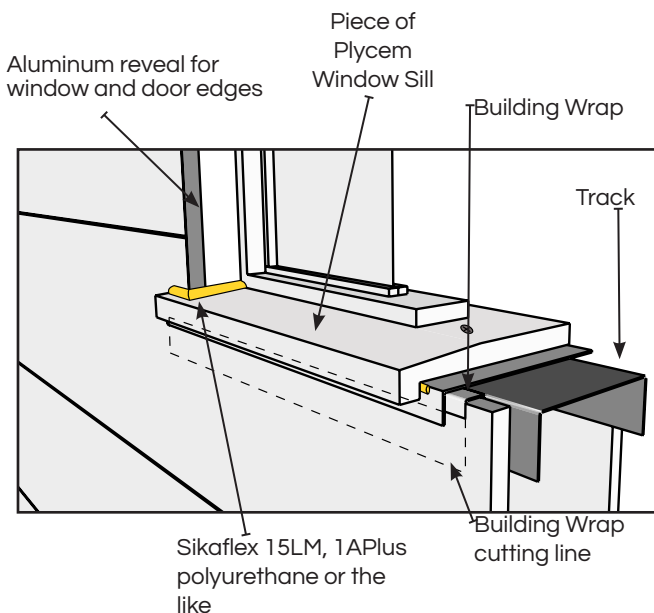
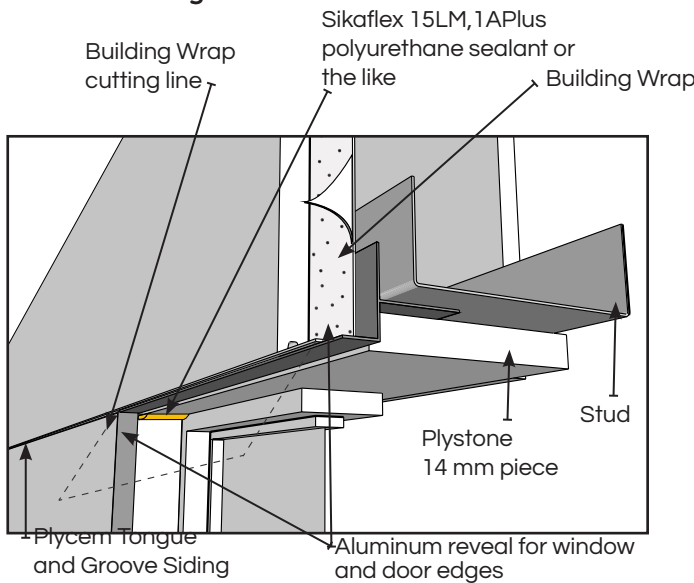


Detail of fastening for fiber cement corner



Detail of installation of metal corner for window edge

Metal corner on edge



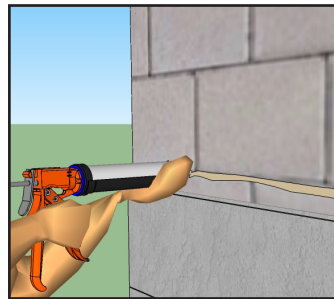
NOTE: The Siding metal reveals will be fastened with flat head screws LH 8-050 and sealed with polyurethane Sikaflex 15 LM, 1A Plus or the like, to prevent entering of water.

FASTENING ON CEMENT WALLS

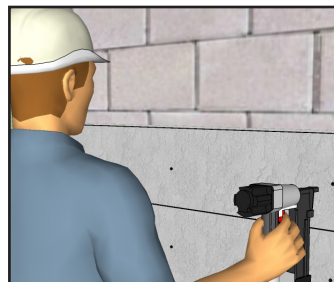


Before installing the Siding on a cement wall, it is necessary to make sure that the surface is plumbed and uniform in order to avoid any lose of shape on the product or any alteration of the finishing.

Fastening the Siding with adhesive and steel nail



Adhesive
(wall without moisture barrier)
Install every piece of Siding by previously applying a bead of Sikaflex 221, 1APlus or the like, on the same direction of the Siding piece. Then, hold the piece with a temporary or permanent steel nail while the Sikaflex dries.

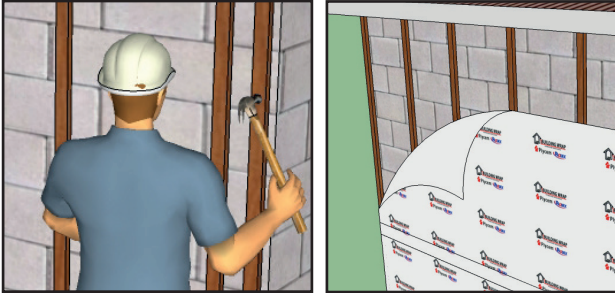


Nail
Install every piece of Siding by manually nailing it to the cement wall. You may also use a pneumatic nailer.

Fastening Siding on leveling structure

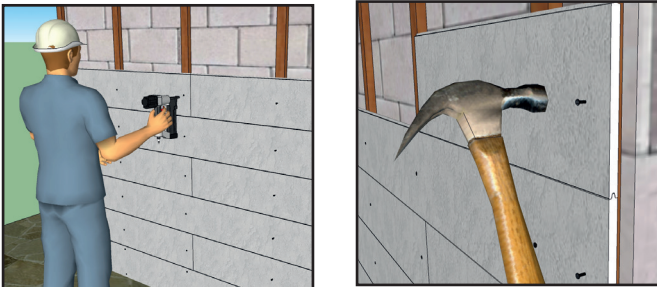
On the concrete wall, vertically or horizontally install semi-hard treated wood pieces depending on the position of the Siding. Remember that each piece must be duly plumbed and distance of at least 406 mm or 610 mm between them.

Consider install a moisture barrier on the structure in case the wall is not plastered or waterproofed.



Fasten the Siding pieces to the previously installed wood structure with 50mm nails -using a hammer.

In case of using a hammer, do not fully introduce the nail head on Siding surface. Leave approximately 4mm of the body out. Then, use a nail set to introduce the nail head at least 1 mm below siding surface. In this way you avoid leaving hammer slits on the siding.



Fastening Siding using structure of furring channel

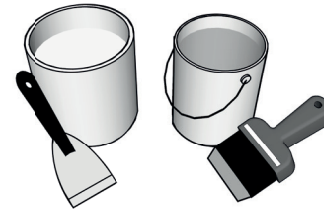


Install the furring channel on the cement wall with screws and plastic expander or powder actuated tools drive pins @ 406 mm minimum or 610mm maximum. Remember that each furring channel must be leveled.



Install the Siding on the furring channel with PL6-100 screws. Remember to place the screws according to the scheme indicated on page #4 about fastenings.

PAINT



Use a high quality 100% acrylic latex paint to give the Siding finish, following always the manufacturer's instructions. Protect the cuts on site with paint. Apply a first coat before starting the installation, mainly on the tongue and groove siding

WOOD LOOK STAIN



Use dyes for fiber cement to give a Siding cedar wood look stain. Always follow the manufacturer's instructions when apply the dye. Apply two coats with a sponge or cloth. Be sure to dye the tongue and groove edges before installation. It is recommended to apply a first coat of dye over the entire surface before installing:

STEP 1

Pour dye into the sponge.



STEP 2

Pass the sponge or cloth over the surface of the Siding and always pass it on the same lengthwise direction in order to apply the first coat. See picture.

**STEP 3**

Pass the dye over the sides of the Siding and over the tongue and groove edges before its installation, to avoid gray joints.

**STEP 4**

Install the siding one by one. Once the wall is installed, pour the fiber cement dye to the sponge or cloth again, and cover the surface with the dye on the second coat.

**FINAL LOOK**

This product application in accordance with INTE/ISO 8336:2018 (Category A, Class 1)

TOLERANCE			APPARENT DENSITY
LENGTH	WIDTH	THICKNESS	
± 2	± 1	± 0.6	1.15g/cm ³

Recommendations and instructions given in this manual are an adequate guide for using and handling the product. This guide does not replace the responsibility of the responsible engineer, the structural engineer, or the supervisor of each project where the product is used. For projects where special measures or conditions are requested, the product will fit the plans and the design provided by the client, assigned constructor, or engineer. Installation instructions provided by the client will apply. PLYCEM does not assume any responsibility for misuse of the product, incorrect handling, or use of materials different from the complementary materials recommended. PLYCEM does not help in the installation and management of the structural design. Therefore, this manual does not represent a co-responsibility in this regards, and its responsibility will be exclusively limited to the material.



Find us in:

www.plycem.com

contactoplycem@elementia.com



[/Experto Plycem](#)

Manufactured by:

PLYCEM Construsistemas Costa Rica S.A.





Installation guide PLYCEM LAP SIDING



IMPACT RESISTANT



LIGHTWEIGHT



PLAGUE RESISTANT



WEATHER RESISTANT



NON COMBUSTIBLE



THERMAL AND ACOUSTIC COMFORT

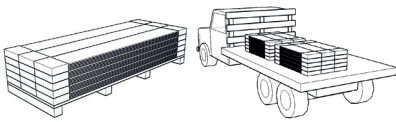


EASY TO INSTALL



ARCHITECTURAL

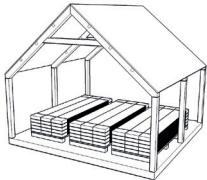
TRANSPORTATION



The Plycem Lap Siding must be transported on a firm, flat platform with moisture protection.

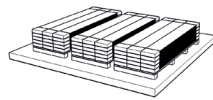
STORAGE AND HANDLING

RIGHT



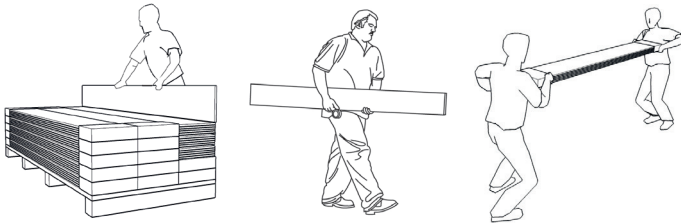
The Plycem Lap Siding should be kept covered and dry. It should be stored on clean pallets on the floor.

WRONG 



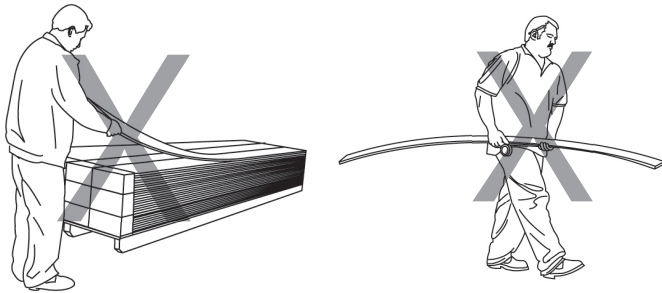
Protect the Plycem Lap Siding from direct exposure to outdoors. Do not install it if wet or saturated with water.

HANDLING

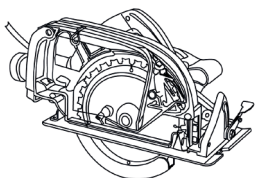


Each package of siding to be loaded horizontally by two people. Protect the edges and corners to prevent breakage. Transport Plycem Lap Siding boards by the center of their narrow edge.

WRONG HANDLING



CUTTING INSTRUCTIONS



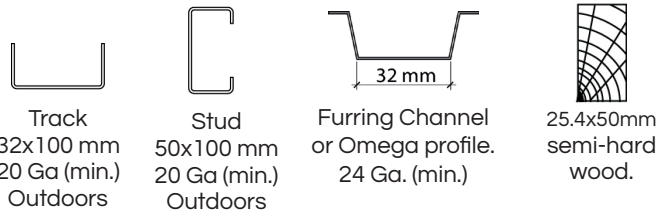
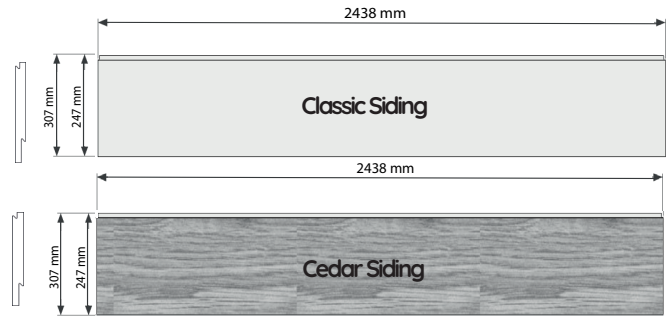
Position the cutting station in a ventilated area. Reduce dust with a shoe-toothed circular saw blade, equipped with a vacuum extraction system and dust collector. Never use water when cutting. Wear properly fitted personal dust protection equipment.

SYSTEM COMPONENTS

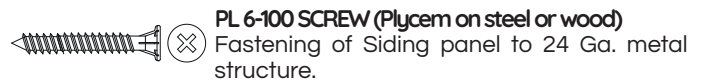
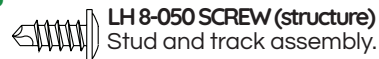
Plycem Lap Siding pieces for walls with wood texture or smooth that give an architectural detail that rescues the tradition of wood, but with the resistance of cement.

Lap Siding

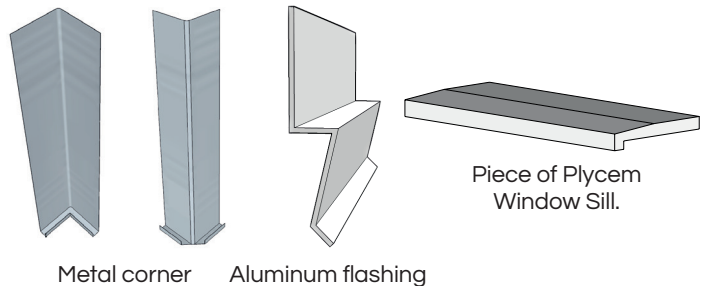
The pieces of Plycem Lap Siding are made of cement reinforced with cellulosic fibers, have a smooth or cedar texture, are 14mm thick, 247mm or 307mm wide by 2438 mm long (ask for minimum production quantity and available stock). For Plycem Lap Siding technical data sheets please visit www.plycem.com



Fastening



Complementary accessories



FINISHING PRODUCTS



PAINT

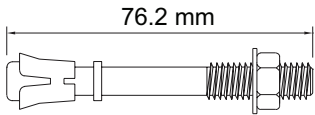


FILLER

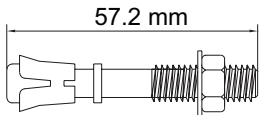


SIKAFLEX 15 LM,
1APlus OR THE LIKE

STRUCTURE FASTENING TO FLOOR



EXPANSION ANCHOR
76.5mm (3")



EXPANSION ANCHOR
50mm (2") x Ø 6mm(1/4")



POWDER ACTUATED DRIVE
PIN 25.4 mm(1")

TOOLS



SCREW DRIVER



CAULKING GUN



AIR NAILER



ROLLER



MEASURING TAPE



RASP



BRUSH



PUTTY



CIRCULAR SAW WITH
DIAMOND BLADE



LEVEL STRING ROPE



CONSTRUCTION LEVEL

INSTRUCTIONS FOR INSTALLATION ON
LIGHTWEIGHT WALL

The metal frame shall be 24 GA (internal wall minimum) or 20 Ga (external wall), with a maximum space of 610 mm o.c. A moisture barrier (Building Wrap) shall be installed on the structure on external walls.



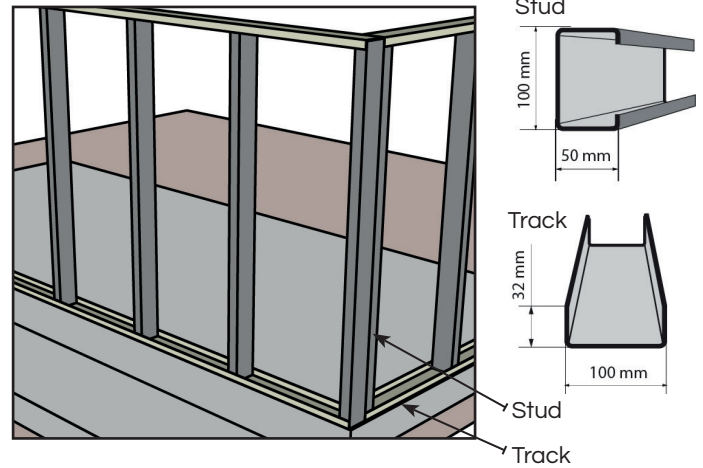
HOME
GUARD



BUILDING
WRAP

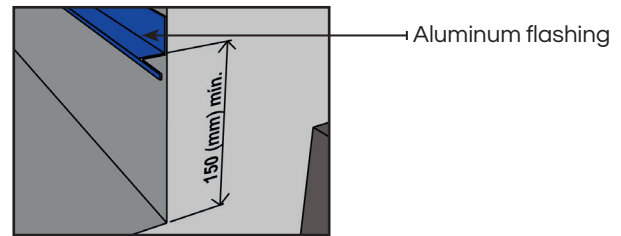
STEP 1

Assemble the structure, with track and stud.



STEP 2

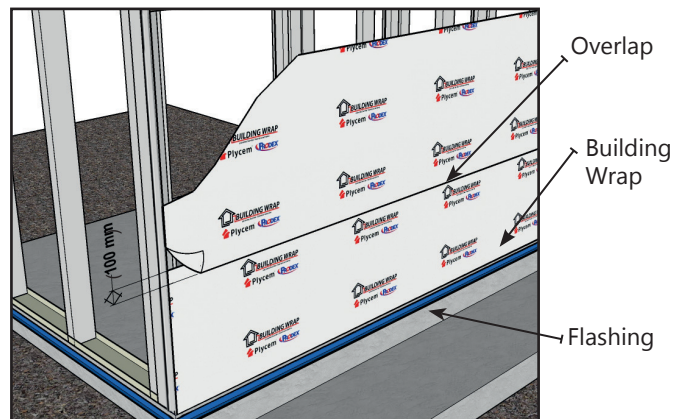
Install the aluminum flashing to level the pieces of Siding.



A base board (minimum Plycem 6mm) must be used as a substrate for the exterior Siding in buildings with a height greater than 5 m. The rest of the installation applies in accordance with this guide.

STEP 3

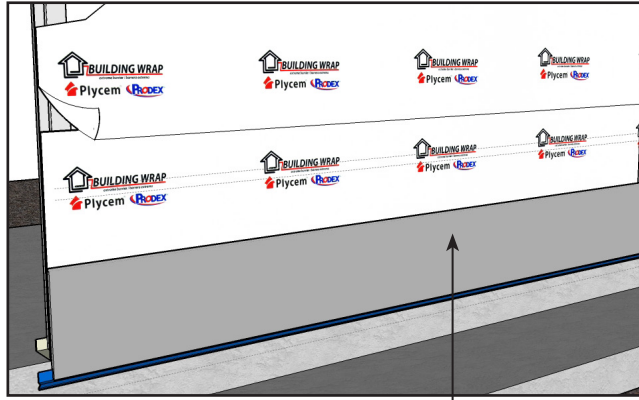
Install the moisture barrier, from left to right and from bottom to the top, and keeping a 100 mm overlap. Make sure that the moisture barrier is on the back of the flashing and wrapping the structure.



STEP 4

Install the first piece of Lap Siding from left to right. Then, continue this way with the rest of the pieces on the first line.

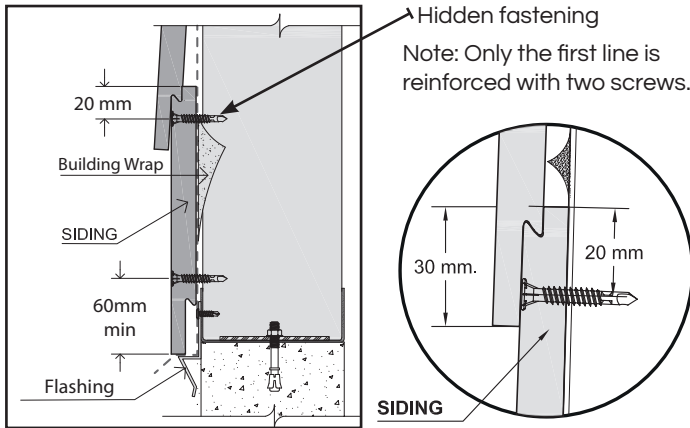
Note:
You shall paint the edges of the pieces before starting the installation.



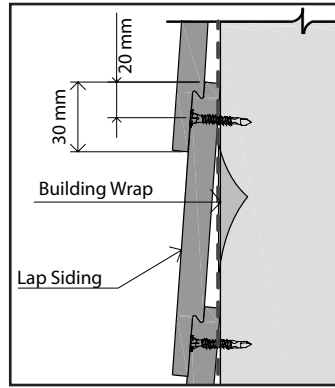
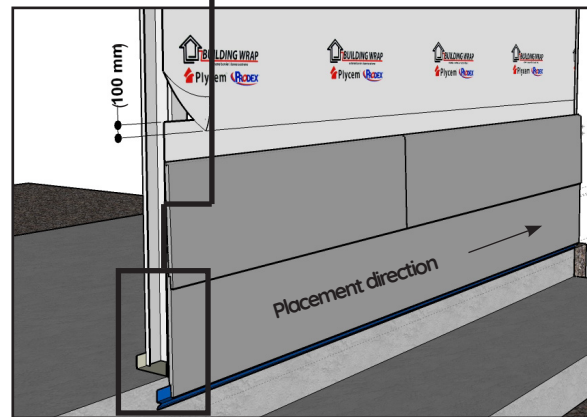
Lap Siding

STEP 5

Install the following pieces of Siding on the second line and on the following lines. This should always be done from left to right, from bottom to top, alternating the joint (staggered).



Note: Only the first line is reinforced with two screws.

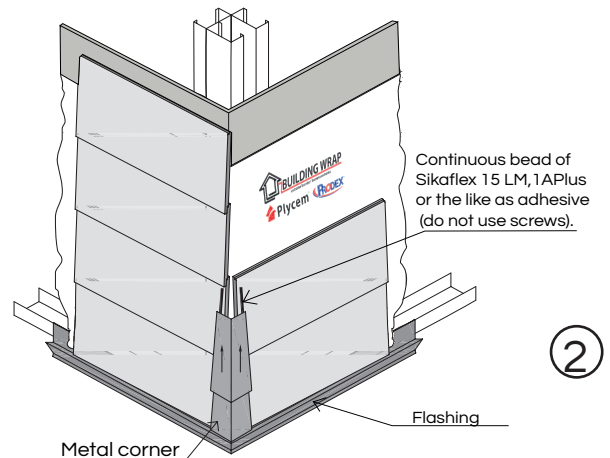
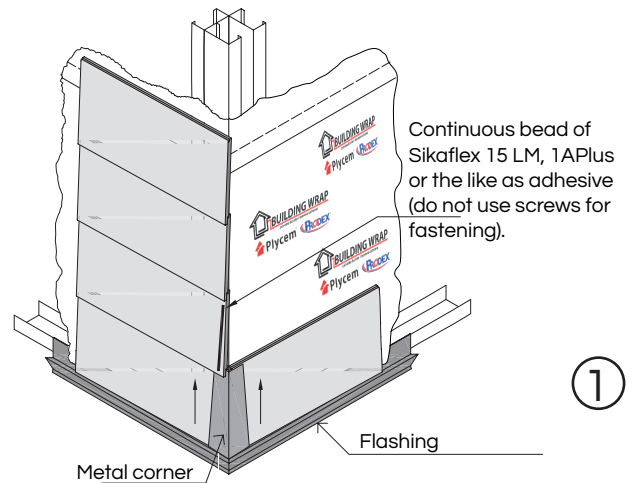


Place only one screw at 20mm from the upper edge, except on the first piece.

See fastening on page 4

INSTALLATION OF CORNERS

Gradual Placement of Corners

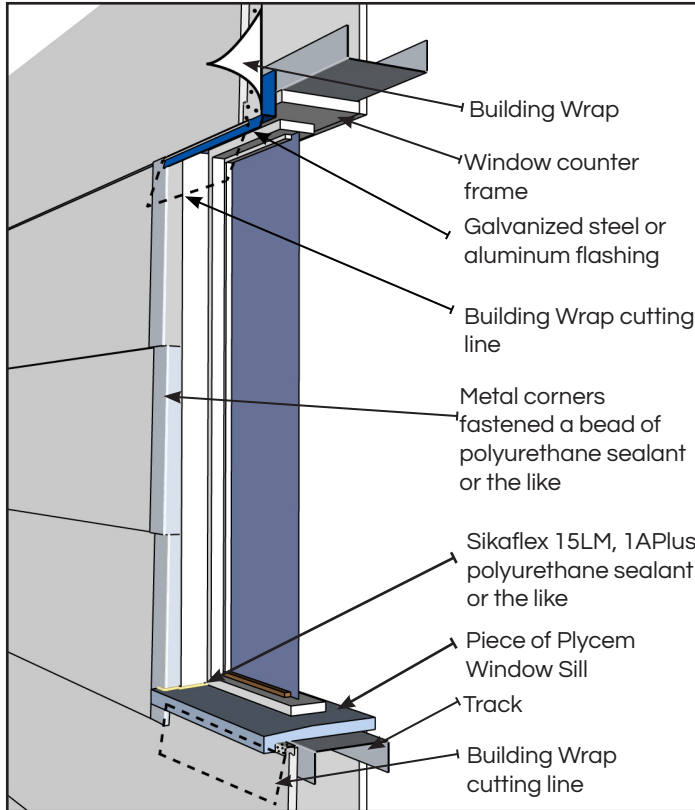


Install the metal corner. The Siding pieces shall be placed on both sides of the corner. Later, place the metal corner from bottom to top.

Note: Paint both sides of the galvanized steel corners before placing them. Also paint the Siding section that is covered by the corner.

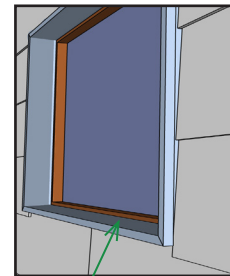
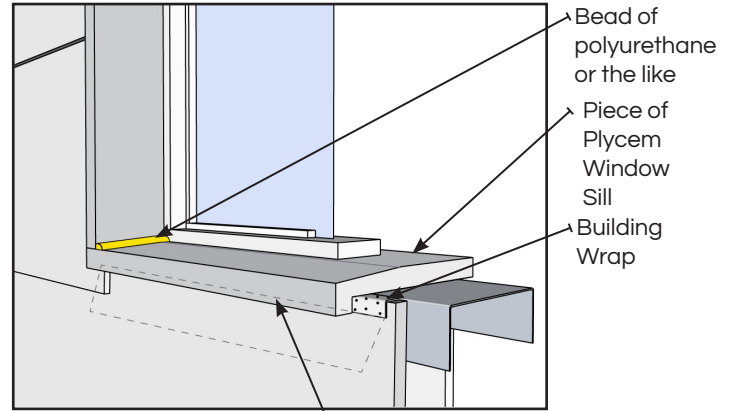
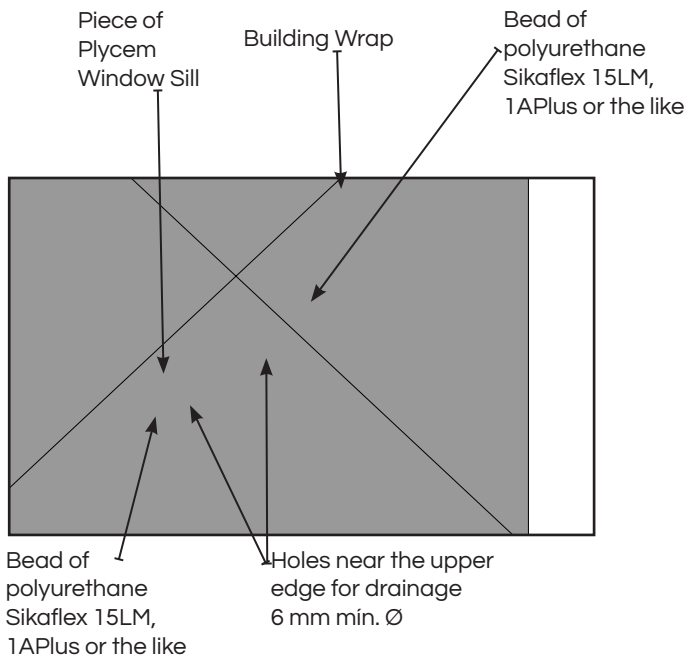
WINDOW AND DOOR EDGE

A1 Metal corner on vertical edge



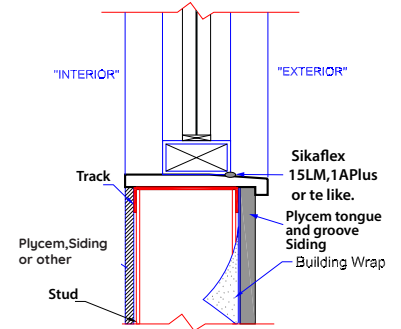
NOTE: The corner shall be cut on the bottom flange that goes on the span side, so that they will fit and thus protect the wall corner from moisture and other factors. They shall be fastened with Sikaflex, 1APlus polyurethane or the like.

B. Window sill on the opening perimeter

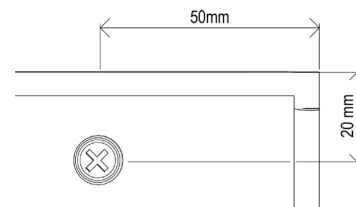


Window sill around the opening

Always put polyurethane sealant on the four edges.

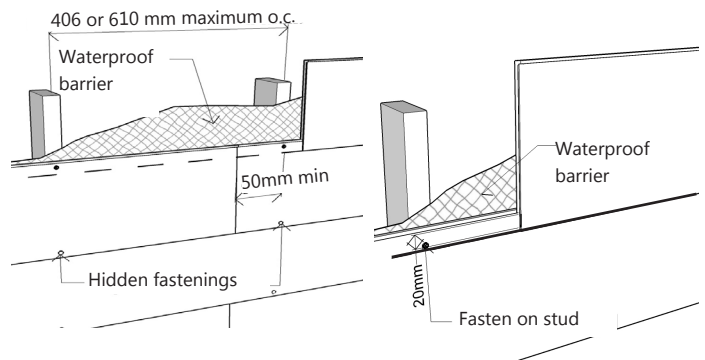


FASTENING

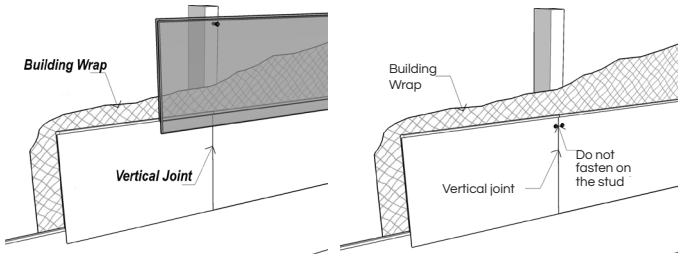


The distance that must be kept by the fastening must be to the edge of the Siding piece as shown in the

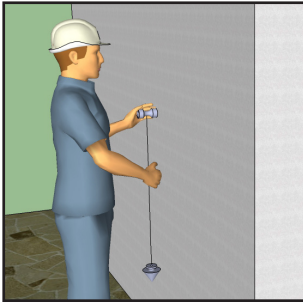
Vertical joints



WRONG FASTENING ON VERTICAL JOINTS



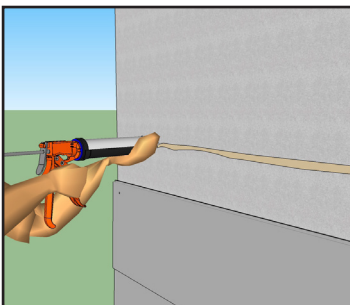
FASTENING ON CONCRETE WALLS



Before installing Siding on a concrete wall, make sure that the surface is plumbed and even in order to avoid losing the shape of the product and altering the finishing.

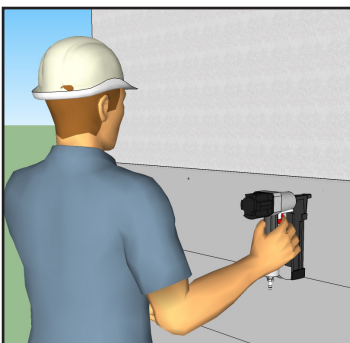
Fastening Siding on Concrete Walls

Install the moisture barrier on the wall -in case it is not plastered or waterproofed.



ADHESIVE (wall without

Install every piece of Siding by previously applying a bead of Sikaflex 221 or the like in the same direction of the Siding piece. Then, hold the piece while the Sikaflex dries by using a temporary or permanent steel nail.



NAILS

You can also attach each piece of siding by nailing it to the concrete wall manually or with a pneumatic nailer.

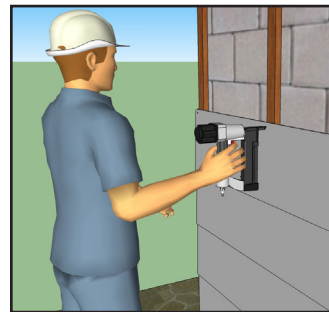
Fastening Siding on levelling Structure

On the cement wall, install semi-hard treated wood pieces -vertically or horizontally depending on the position of the Siding. Remember that each piece should be duly plumbed and with a distance of 406 mm minimum or 610 mm maximum. **If the wall is not plastered and waterproofed, a moisture barrier should be installed on the structure (wood or furring).**



Fasten the Siding pieces to the previously installed wood structure with 50mm nails -using a hammer.

In case of using a hammer, do not fully introduce the nail head on Siding surface. Leave approximately 4mm of the body out. Then, use a nail set to introduce the nail head at least 1 mm below siding surface. In this way you avoid leaving hammer slits on the siding.



Fastening Siding using structure of furring channel



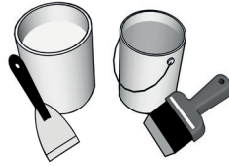
Install the furring channel on the cement wall with screws and plastic expander or powder actuated tools drive pins @ 406 mm minimum or 610mm maximum. Remember that each furring channel must be leveled.



Install Siding on the furring channel with PL6-100 screws. Remember to place the screws according to the indicated fastening distance.

PAINT

Use a high quality 100% acrylic latex paint to give the Siding finish, following always the manufacturer's instructions. Protect the cuts on site with paint. Apply a first coat before starting the installation, mainly on the tongue and groove edges.



WOOD LOOK STAIN

Use dyes for fiber cement to give a Siding cedar wood look stain. Always follow the manufacturer's instructions when apply the dye. Apply two coats with a sponge or cloth. Be sure to dye the tongue and groove edges before installation. It is recommended to apply a first coat of dye over the entire surface before installing:



STEP 1

Pour dye into the sponge.



STEP 2

Pass the sponge or cloth over the surface of the Siding and always pass it on the same lengthwise direction in order to apply the first coat. See picture.



STEP 3

Pass the dye over the sides of the Siding and over the tongue and groove edges before its installation, to avoid gray joints.



STEP 4

Install the siding one by one. Once the wall is installed, pour the fiber cement dye to the sponge or cloth again, and cover the surface with the dye on the second coat.



FINAL LOOK



According to the INTE/ISO 8336:2018 standard, this product is manufactured for outdoor and indoor uses (Category A, Class 1)

TOLERANCE			APPARENT DENSITY
LENGTH	WIDTH	THICKNESS	

Recommendations and instructions given in this manual are an adequate guide for using and handling the product. This guide does not replace the responsibility of the responsible engineer, the structural engineer, or the supervisor of each project where the product is used. For projects where special measures or conditions are requested, the product will fit the plans and the design provided by the client, assigned constructor, or engineer. Installation instructions provided by the client will apply. PLYCEM does not assume any responsibility for misuse of the product, incorrect handling, or use of materials different from the complementary materials recommended. PLYCEM does not help in the installation and management of the structural design. Therefore, this manual does not represent a co-responsibility in this regards, and its responsibility will be exclusively limited to the material.



Find us in:

www.plycem.com

contactoplycem@elementia.com



[/Experto Plycem](#)

Manufactured by:

PLYCEM Construsistemas Costa Rica S.A.





IMPACT
RESISTANT



LIGHTWEIGHT



PLAGUE
RESISTANT



WEATHER
RESISTANT



NON
COMBUSTIBLE



THERMAL AND
ACOUSTIC COMFORT

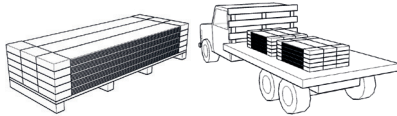


EASY TO
INSTALL



ARCHITECTURAL

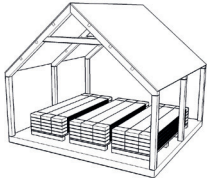
TRANSPORTATION



The Plycem Victorian Siding should be transported on a solid and flat platform, with moisture protection.

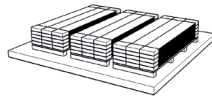
STORAGE AND HANDLING

RIGHT



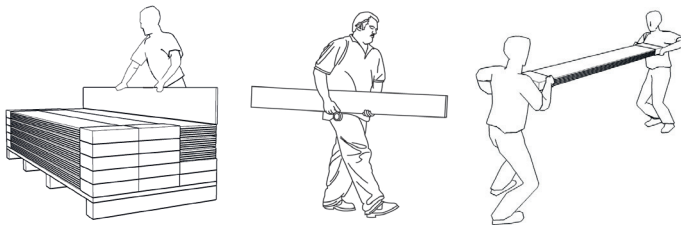
The Plycem Victorian Siding should be kept covered and dry. It should be stored on clean pallets on the floor.

WRONG 



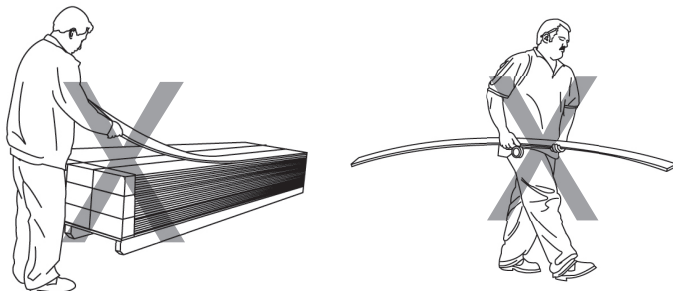
Protect the Plycem Victorian Siding from direct exposure to outdoors. Do not install it if wet or saturated with water.

HANDLING

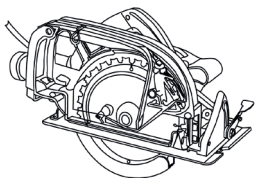


Each pack of Siding should be horizontally carried by two people. Protect the edges and corners to prevent them from breaking. Transport the Plycem Siding by middle of its narrow edge.

WRONG HANDLING



CUTTING INSTRUCTIONS



Place the cutting station in a ventilated area. Reduce dust with a circular saw equipped with a vacuum system and dust collector. Never use water when cutting. Use personal dust protection equipment which should be properly adjusted.

SYSTEM COMPONENTS

Plycem Victorian Siding

The Plycem Victorian Siding pieces are made from cement reinforced with cellulosic fibers. They have a smooth or cedar texture. They are 11 or 17 mm thickness (tongue and groove), and 185mm or 207mm wide, and 2438 mm long (ask for minimum production quantity and available stock).

For Plycem Victorian Siding technical data sheets please visit www.plycem.com



Structure



Track 3.2x10 cm 20 Ga (min.) Outdoors
Track 3.2x10 cm 24 Ga (min.) Indoors

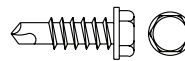


Stud 5x10 cm 20 Ga (min.) Outdoors
Stud 5x10 cm 24 Ga (min.) Indoors

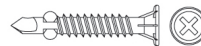
Fastening



LH 8-050 SCREW (structure)
Stud and track assembly.



MM 10-075 SCREW (structure)
Structural corner joints or intersections.



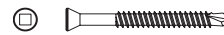
PH 8-125 SCREW (Plycem on steel)
Fastening of Siding panel to metal structure



PL 8-175 SCREW (Plycem on steel or wood)
Siding fastening to wood structure



50.8mm nail. Siding fastening to wood structure



SPH7-162 SCREW
Exposed fastening of Siding, square #1 tip

FINISHING PRODUCTS



PAINT



FILLER

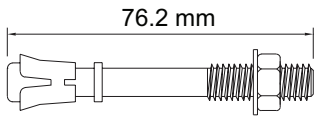


POLYURETHANE
SIKAFLEX 15 LM, 1A Plus OR
THE LIKE

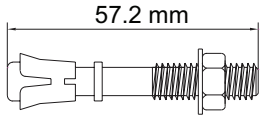


EPOXY

STRUCTURE FASTENING TO FLOOR



EXPANSION ANCHOR
76.5mm (3")



EXPANSION ANCHOR
50mm (2") x Ø 6mm (1/4")



POWDER ACTUATED DRIVE
PIN 25.4 mm (1")

TOOLS



SCREW DRIVER

CAULKING GUN

AIR NAILER

ROLLER

MEASURING TAPE

RASP

BRUSH

PUTTY KNIFE

CIRCULAR SAW WITH
DIAMOND BLADE

LEVEL STRING ROPE

CONSTRUCTION LEVEL

INSTRUCTIONS FOR INSTALLATION ON
LIGHTWEIGHT WALL

The metal frame shall be 20 GA, with a maximum space of 610 mm o.c. A moisture barrier (Building Wrap) shall be installed on the structure on external walls.



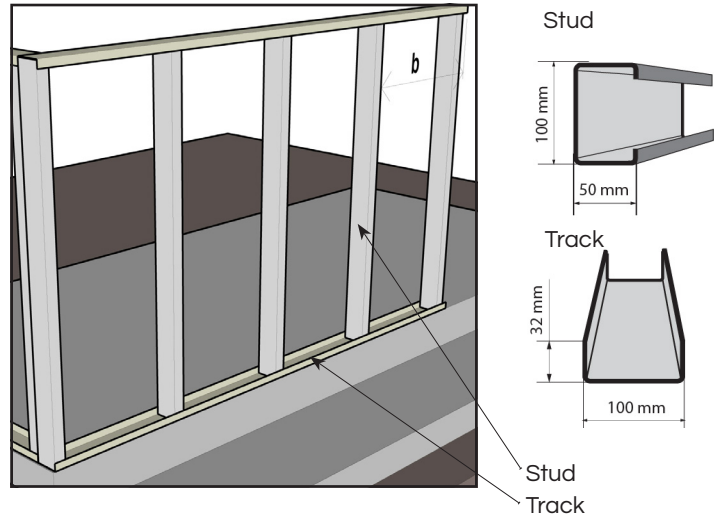
HOME GUARD



BUILDING WRAP

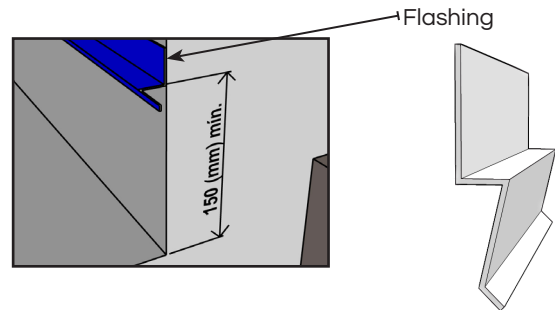
STEP 1

Assemble the structure, with track and stud.



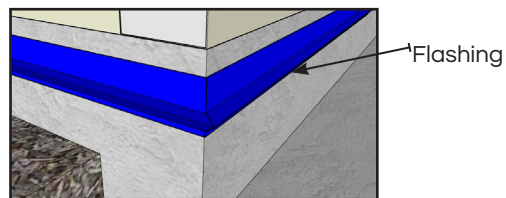
STEP 2

Install the aluminum flashing to level the pieces of Siding.



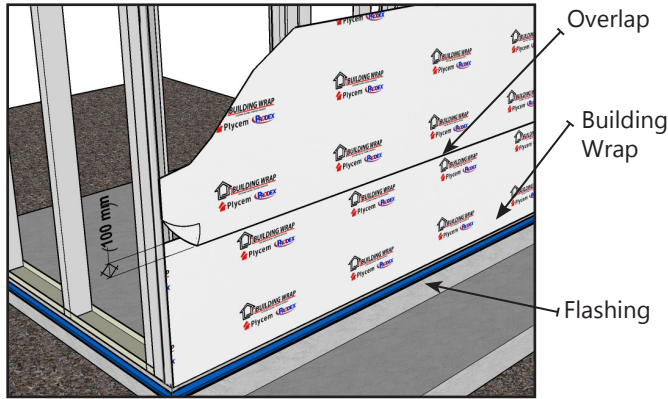
Note: A base board (minimum Plycem 6mm) must be used as a substrate for the exterior Siding in buildings with a height greater than 3 m. The rest of the installation applies in accordance with this guide.

Connection in the corner of the flashing in 45° cut



STEP 3

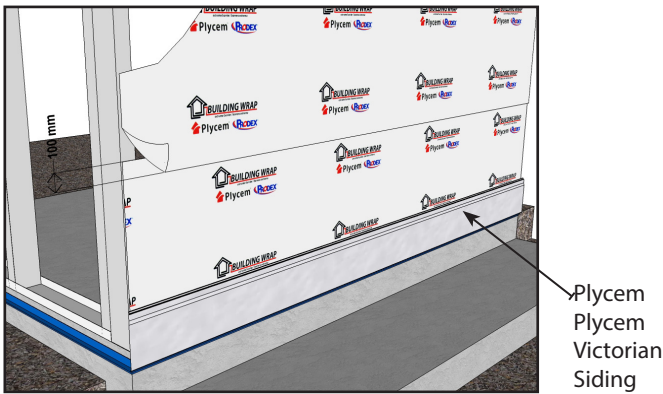
Install the moisture barrier, from left to right and from bottom to the top, and keeping a 100 mm overlap. Make sure that the moisture barrier is on the back of the flashing and wrapping the structure and finishing outside at the edges of windows and doors.



STEP 4

Install the first piece of Plycem Victorian Siding from left to right. Then, continue this way with the rest of the pieces on the first line.

Note: Painting the edges of the pieces before starting the installation.



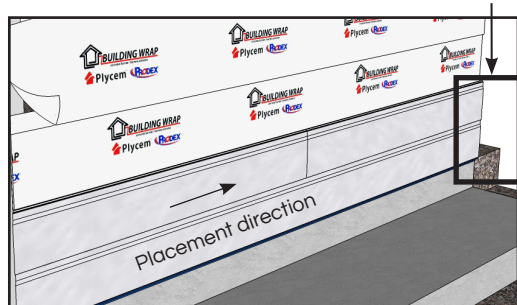
Note: The position of the Siding pieces is always with the groove joint on top and the right.

STEP 5

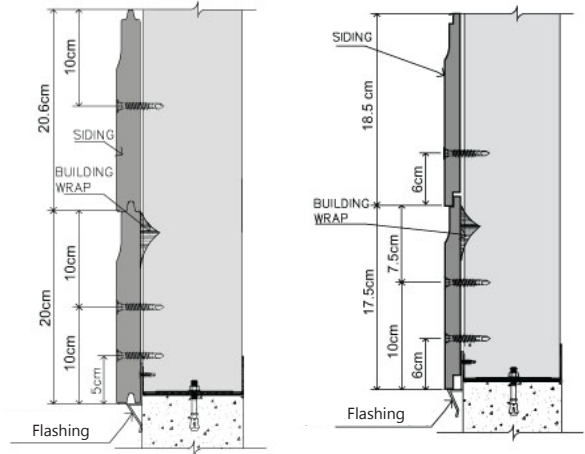
Install the following siding pieces. This should be done from left to right, from bottom to top alternating the vertical joint (staggered)

Note: Only the first line is reinforced with two screws

See fastening detail.

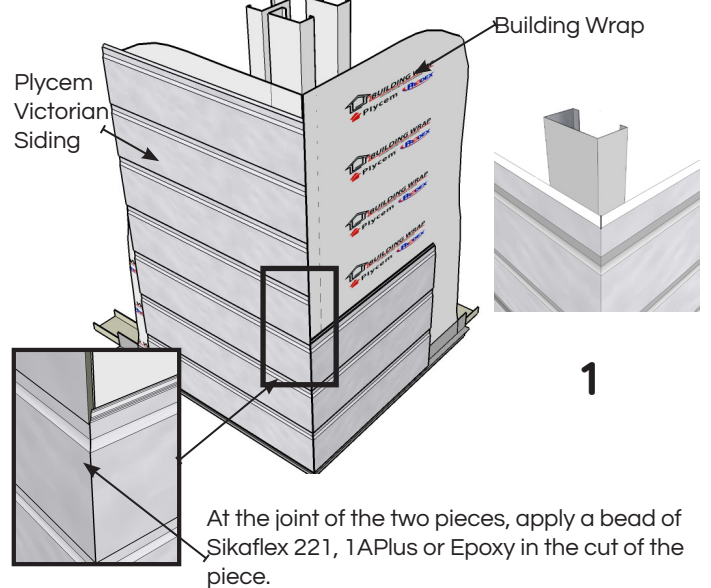


DETAIL OF 17 mm AND 11 mm SIDING FASTENING

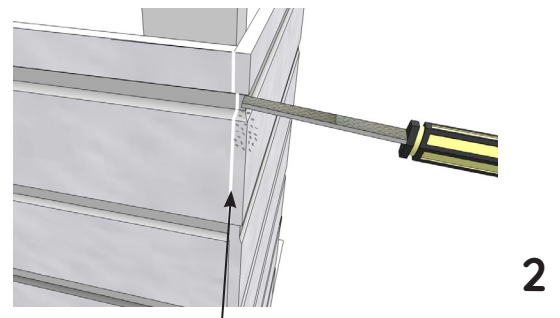


INSTALLATION OF CORNERS

Butt joint (45° Cutline)

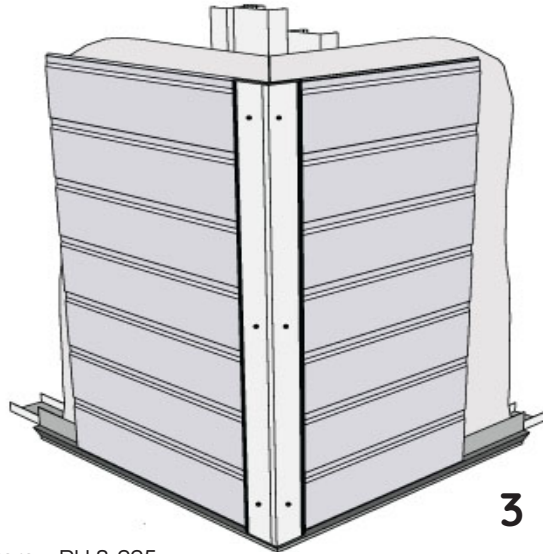


Butt joint with roughing



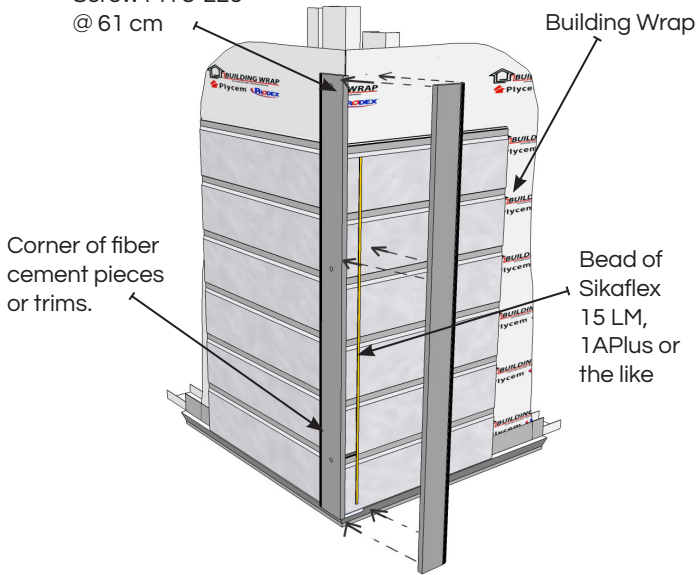
Apply a bead of Sikaflex 221 or Epoxy at the joint of the two pieces in the cut of the piece. After drying, roughen with a rasp.

Fiber cement corner



3

Screw PH 8-225 @ 61 cm

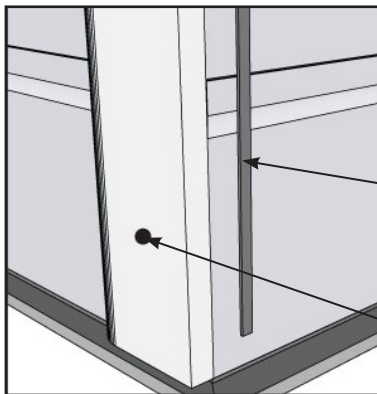


Corner of fiber cement pieces or trims.

Building Wrap

Bead of Sikaflex 15 LM, 1APlus or the like

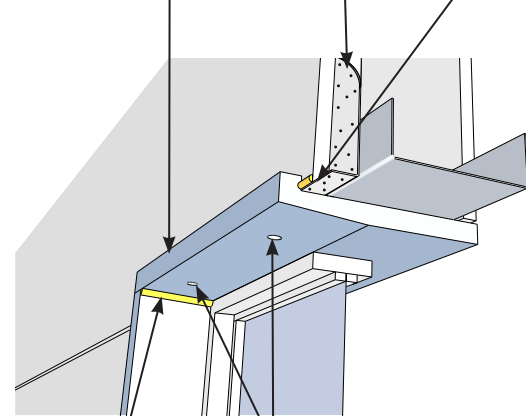
Detail of fastening for fiber cement corner



Before placing the fiber cement corner it is necessary to apply a bead of Sikaflex 15 LM, 1APlus or the like

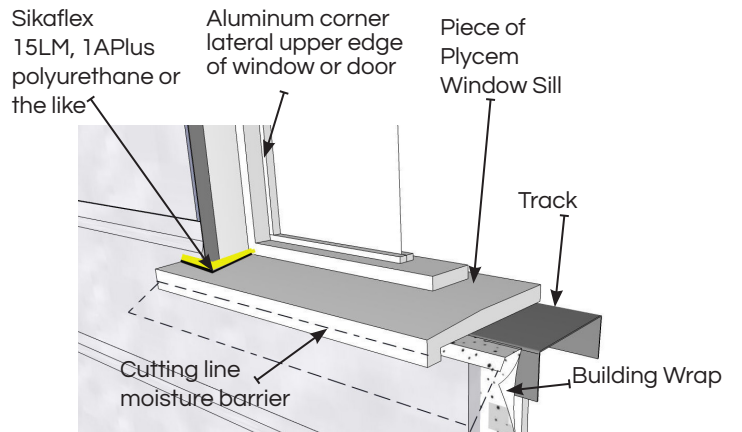
Screw PH 8-225 @ 61 cm

EDGE OF WINDOWS AND DOORS

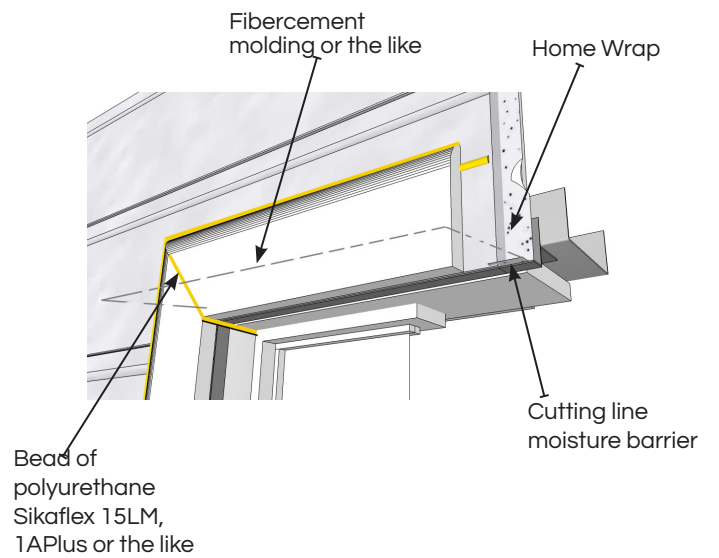


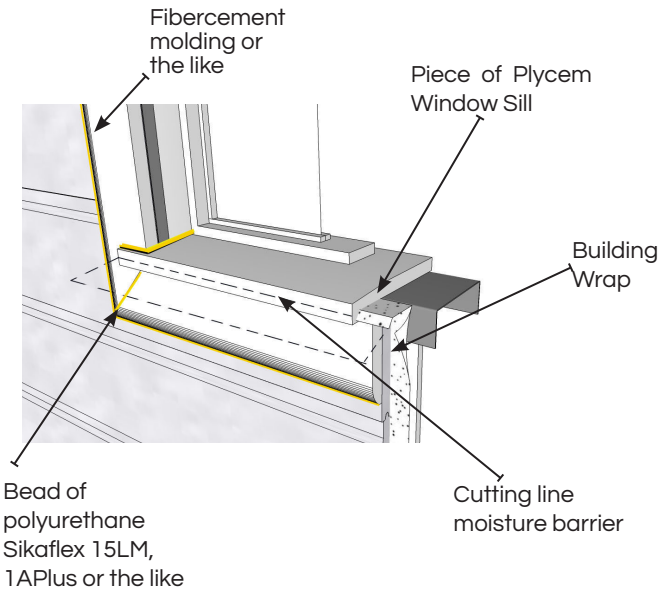
Bead of polyurethane Sikaflex 15LM, 1APlus or the like

Holes near the upper edge for drainage 10 mm min. Ø

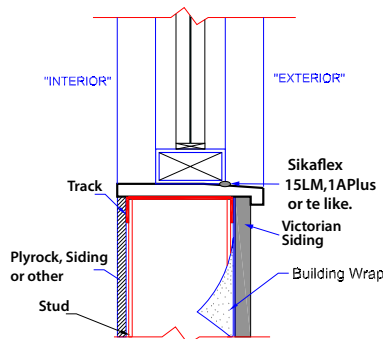


Door and window molding



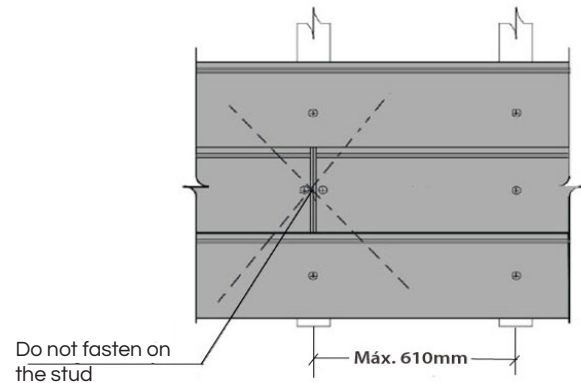


Section of the sill and wall

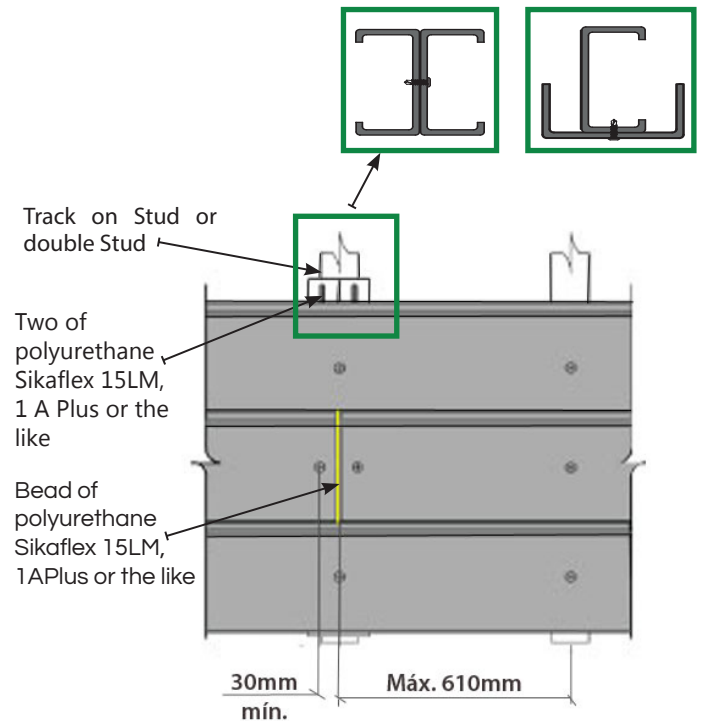


NOTE: The Siding metal reveals will be fastened with flat head screws LH 8-050 and sealed with polyurethane Sikaflex 15 LM, 1 A Plus or the like, to prevent entering of water.

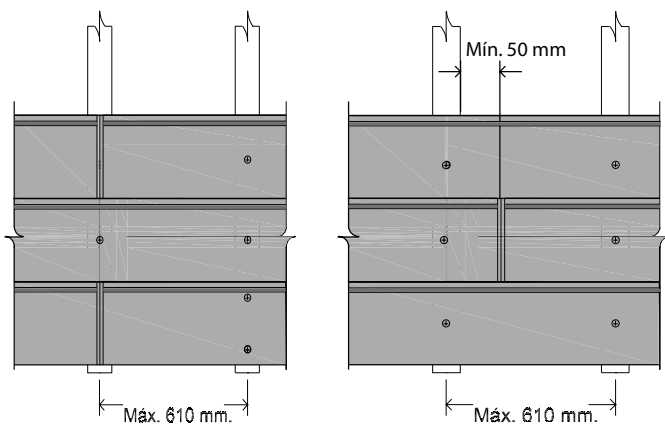
WRONG FASTENING OF PLYCEM VICTORIAN SIDING 17mm



FASTENING OF PLYCEM VICTORIAN SIDING 11mm



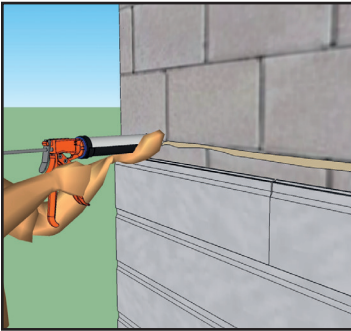
FASTENING OF PLYCEM VICTORIAN SIDING 17mm



FASTENING ON CONCRETE WALLS

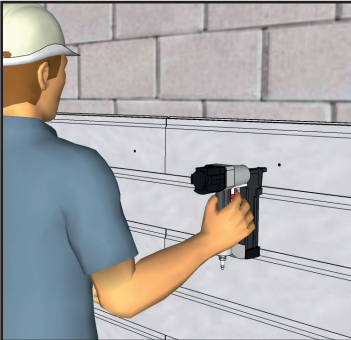


Before installing Siding on a concrete wall, make sure that the surface is plumbed and even in order to avoid losing the shape of the product and altering the finishing.



ADHESIVE (wall without moisture barrier)

Install every piece of Siding by previously applying a bead of Sikaflex 221 or the like in the same direction of the Siding piece. Then, hold the piece while the Sikaflex dries by using a temporary or permanent steel nail.



NAILS

You can also attach each piece of siding by nailing it to the concrete wall manually or with a pneumatic nailer.

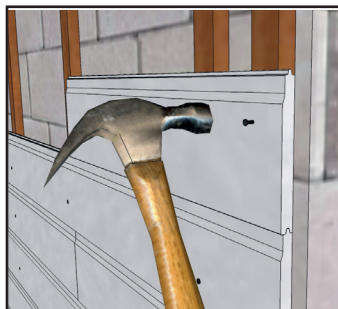
Fastening Siding on levelling Structure

On the cement wall, install semi-hard treated wood pieces -vertically or horizontally depending on the position of the Siding. Remember that each piece should be duly plumbed and with a distance of 406 mm minimum or 610 mm maximum.



Fasten the Siding pieces to the previously installed wood structure with 50mm nails -using a hammer.

In case of using a hammer, do not fully introduce the nail head on Siding surface. Leave approximately 4mm of the body out. Then, use a nail set to introduce the nail head at least 1 mm below siding surface. In this way you avoid leaving hammer slits on the siding.



Fastening Siding using structure of furring channel



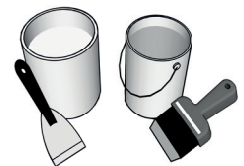
Install the furring channel on the cement wall with screws and plastic expander or powder actuated tools drive pins @ 406 mm minimum or 610mm maximum. Remember that each furring channel must be leveled.



Install the siding over the furring channel with PL6-100 screws, following the screw installation instructions.

PAINT

Use a high quality 100% acrylic latex paint to give the Siding finish, following always the manufacturer's instructions. Protect the cuts on site with paint. Apply a first coat before starting the installation, mainly on the edges.



WOOD LOOK STAIN

Use dyes for fiber cement to give a Siding cedar wood look stain. Always follow the manufacturer's instructions when apply the dye. Apply two coats with a sponge or cloth. Be sure to dye the edges before installation. It is recommended to apply a first coat of dye over the entire surface before installing:



STEP 1

Pour dye into the sponge.

**STEP 2**

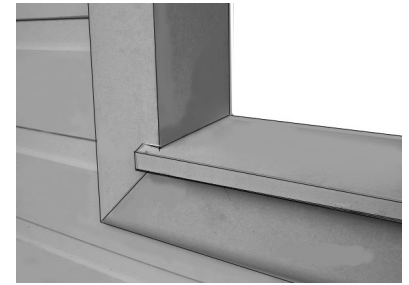
Pass the sponge or cloth over the surface of the Siding and always pass it on the same lengthwise direction in order to apply the first coat. See picture.

**STEP 3**

Pass the dye over the sides of the Siding and over the edges before its installation, to avoid gray joints.

**STEP 4**

Install the Siding one by one. Once the wall is installed, pour the fiber cement dye to the sponge or cloth again, and cover the surface with the dye on the second coat.

**FINAL LOOK**

According to the INTE/ISO 8336:2018 standard, this product is manufactured for outdoor and indoor uses (Category A, Class 1)

TOLERANCE			APPARENT DENSITY
LENGTH	WIDTH	THICKNESS	
2	1	0.6	1.15g/cm ³

Recommendations and instructions given in this manual are an adequate guide for using and handling the product. This guide does not replace the responsibility of the responsible engineer, the structural engineer, or the supervisor of each project where the product is used. For projects where special measures or conditions are requested, the product will fit the plans and the design provided by the client, assigned constructor, or engineer. Installation instructions provided by the client will apply. PLYCEM does not assume any responsibility for misuse of the product, incorrect handling, or use of materials different from the complementary materials recommended. PLYCEM does not help in the installation and management of the structural design. Therefore, this manual does not represent a co-responsibility in this regards, and its responsibility will be exclusively limited to the material.



Find us in:

www.plycem.com

contactoplycem@elementia.com



[/Experto Plycem](#)

Manufactured by:

PLYCEM Construsistemas Costa Rica S.A.

