



Plycem®



by
elementia
materials

Installation guide

PLYCEM DECK



IMPACT
RESISTANT



EASY TO
INSTALL



PLAGUE
RESISTANT

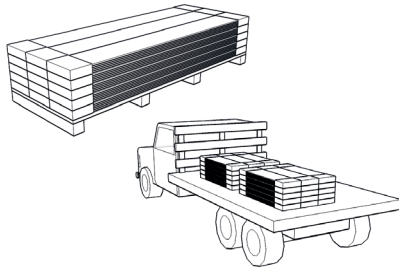


WEATHER
RESISTANT



NON
COMBUSTIBLE

TRANSPORTATION

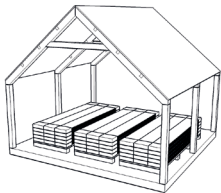


Plycem Deck should be transported on a firm, flat platform with moisture protection.

STORAGE AND HANDLING

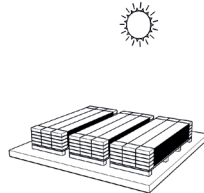
RIGHT

Plycem Deck should be kept covered and dry, stored on clean pallets on the floor.

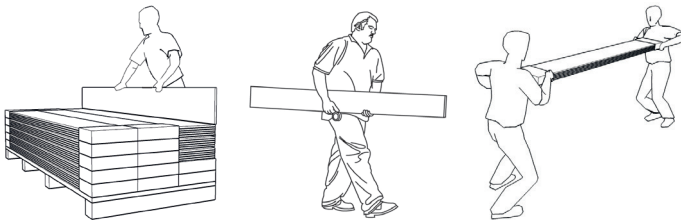


WRONG

Protect the Plycem Deck from direct exposure to the weather. Do not install wet.



HANDLING



Each package or piece of Plycem Deck must be loaded horizontally by two people. Protect the edges and corners to avoid breakage. Transport the Plycem Deck boards by the center of their narrow edge.

FASTENINGS



Plastic Clip (for wood or metal)



Starter clip

SYSTEM COMPONENTS

Plycem Deck pieces are made from cellulosic fibers reinforced with cement, in thicknesses of 30 mm, with a width of 150 mm and a length of 3657 mm.

If Plycem Deck is required in wood color, it must be made to order. (Ask for minimum production quantity and available stock). For Plycem Deck technical data sheet please visit www.plycem.com

INSTALLATION INSTRUCTIONS

Plycem Deck can be installed on metal joists, with a maximum spacing of 406 mm o.c. It can also be installed on treated and dry wood structures.

TOOLS TO BE USED



String line



Drill



Circular saw with diamond blade



Hammer



Measuring tape



Level

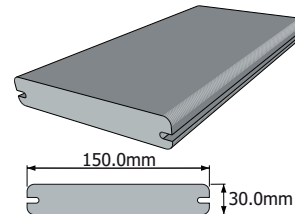


Phillips



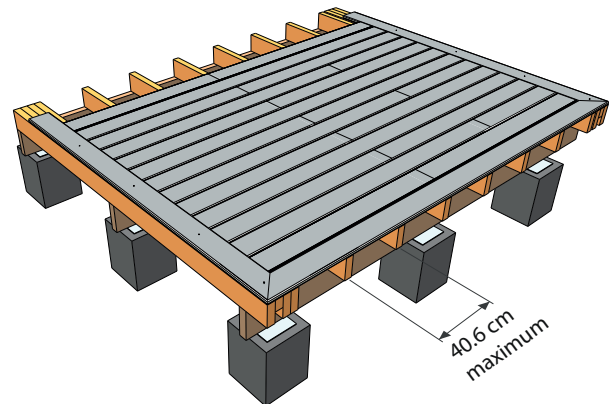
Square tip No.1 x 50 mm (clip on metal). Square tip No.2x50 mm (clip on wood).

PLYCEM DECK DIMENSIONS



All pieces are 305 or 366 cm long

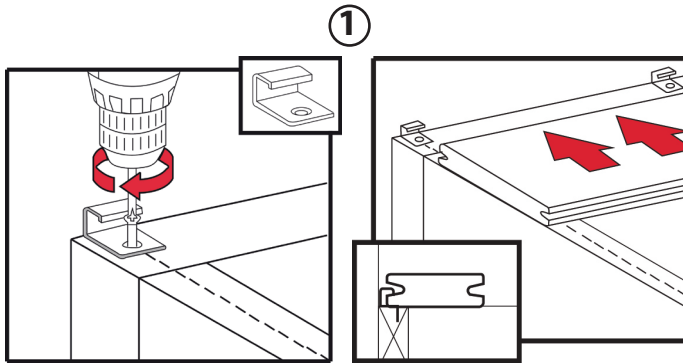
PLACEMENT OF STRUCTURES AND PLYCEM DECK PIECES



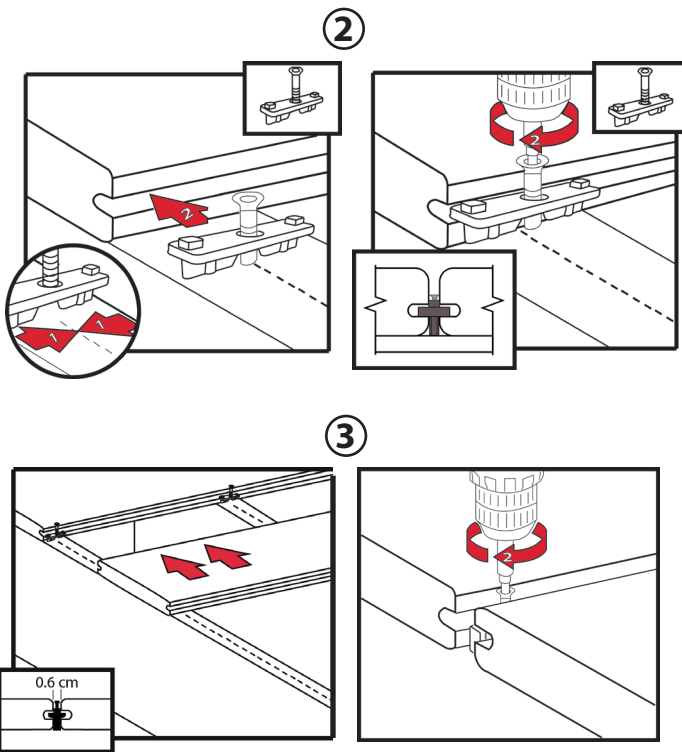
Note: Make sure that the Plycem Deck pieces are always fastened in at least two span(3 supports). Do not fasten sections of Plycem Deck on two supports only.

INSTALLATION OF THE CLIPS

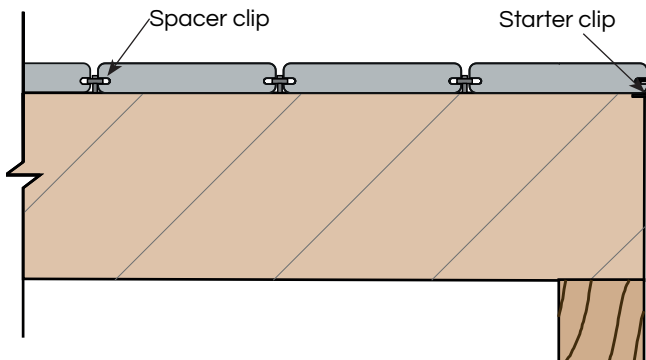
Starter clip



Spacer clip



NOTE: Plycem Deck is an application for residential and commercial use. If used in public areas, use a maximum beam spacing of 30.5 cm at floors, access and stairs.



PAINTING, INKING AND SEALING

You can paint the deck with color or stain it to give it a wood finish. Use weather-resistant flooring paints or dyes for fiber cement. Always follow the manufacturer's instructions. It is suggested to apply two coats with a sponge or cloth in the case of dye. The paint can be applied with a roller.

Note:

Before installing them, seal the back side and edges before installing. Always make sure there is ventilation under the deck specially if the deck is going to be installed less than 30 cm from the ground.

APPLYING THE DYE:

STEP 1 (before installation)

First, pour the dye on a sponge or cloth. Remove any residue dust from the Plycem Deck piece.



STEP 2

Apply a first coat of dye with the sponge or cloth along the surface of the Plycem Deck piece, always passing the dye in the same direction.



STEP 3

Apply the dye on all sides of the Plycem Deck piece.



STEP 4

Once the deck is installed proceed to apply a second coat of dye to the entire surface. This can be once the deck is installed. In case of painting, apply one coat on the entire surface and edges of the piece of Plycem Deck. Later, apply the second coat when it is installed.



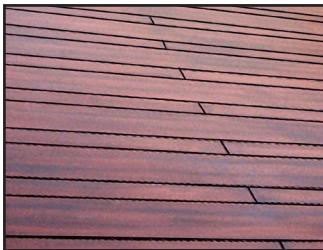
STEP 5 (already installed)

Place the pieces of Plycem Deck one by one. Once the application is complete, impregnate again the sponge or cloth and cover the surface with a second coat of dye.



STEP 6

A clear sealant for outdoor floors must be always applied on the entire exposed surface. Ask the Technical Department in each country about it.



MAINTENANCE

Periodically provide adequate maintenance to the deck and all its components.
 Remove leaves or particles on the floor. If it is dirty, wash it with water and soap.
 Once a year, check the condition of the finishing sealant, and protect it again if it is required.

PLYCEM DECK LOAD TABLE	
Concentrated Load (kg)*	109 (240 lbs.)
Distributed load (kg/m2)*	2900 (6,380 lbs.)

* Considering joist spacing of 40.6 cm (16") maximum.

HIDDEN FASTENING
9 clips per deck board (3.66 m)
1 start clip at 40 cm on edges parallel to pieces.

According to the INTE/ISO 8336:2018 standard, this product is manufactured for outdoor and indoor uses (Category A, Class1)

TOLERANCE			APPARENT DENSITY
LENGTH	WIDTH	THICKNESS	
± 2	± 2	± 0.6	1.15 g/cm ³

Contact Plycem's Technical Department to ask about other details or installation instructions.

Recommendations and instructions given in this manual are an adequate guide for using, storing, and handling the product. This guide does not replace the responsibility of the responsible engineer, the structural engineer, or the supervisor of each project where the product is used. For projects where special measures or conditions are requested, the product will be manufactured according to the plans and the design provided by the client, assigned constructor, or engineer. Installation instructions provided by the client will apply without any liability by PLYCEM. PLYCEM does not assume any responsibility for misuse of the product, incorrect handling, incorrect storage, or use of materials different from the complementary materials recommended. PLYCEM does not help in the installation and management of the structural design. Therefore, this manual does not represent a co-responsibility in this regards, and its responsibility will be exclusively limited to the material.

The product warranty only applies if the installation instructions in this manual are followed. For details regarding the warranty, go to www.plycem.com/web/plycem/garantia



Find us in:

www.plycem.com

contactplycem@elementia.com



[/Experto Plycem](#)

Manufactured by:

PLYCEM Construsistemas Costa Rica S.A.

