



IMPACT  
TESTS



LIGHTWEIGHT



PLAGUE  
RESISTANT



WEATHER  
RESISTANT



NON-COMBUSTIBLE



THERMAL AND  
ACOUSTIC  
CONFORT

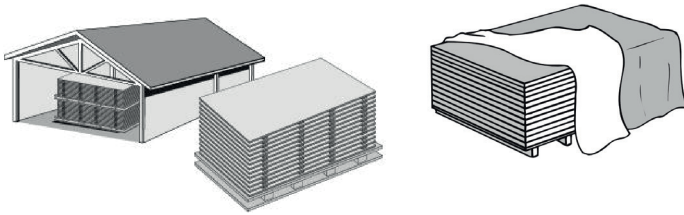


EASY TO  
INSTALL

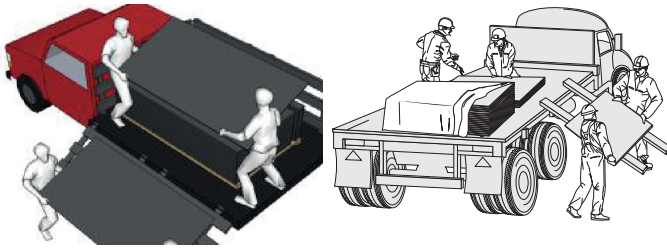
Roof sheathing in buildings serves as a support for the final finish of the roof or ceiling of the building. These can be asphalt membranes, asphalt shingles, clay or other materials, PVC, TPO, etc. waterproofing mantles. With Plycem Roof Sheathing underlayments, a superior high performance enclosure is obtained, in conditions of durability, comfort and safety.

**TRANSPORTATION, STORAGE, AND HANDLING**

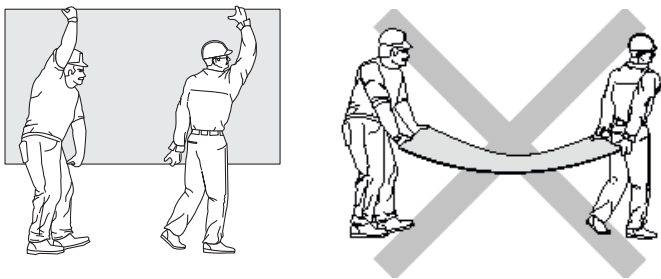
Always store the panels indoors in ventilated and dry areas; both in the commercial warehouse and on the construction site. Do not expose the panels to the outside (rain, sun or snow). In flat surfaces, stack them on pieces of wood (do not leave them directly on the ground). If you leave them temporarily outside, you must cover the pallet with a waterproof mantle.



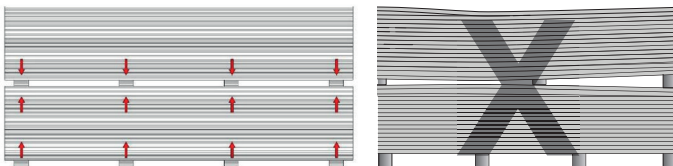
Roof sheathing panels must be lift up by at least 2 people. Transport the covered panels with a waterproof mantle, preventing them from getting wet on the trip to the commercial warehouse or the construction site.



Always handle the boards on their edges, avoiding deflections in a horizontal position



Always stack the boards in the correct position on aligned supports. Avoid deformation during stacking. Do not stack more than 3 pallets one on top of the other.

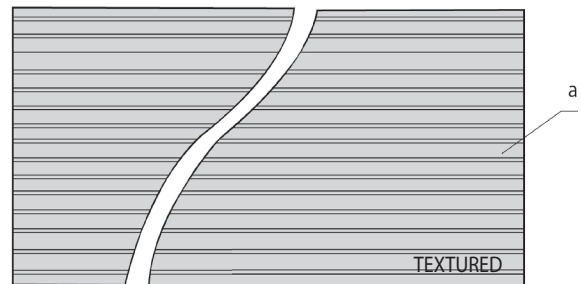
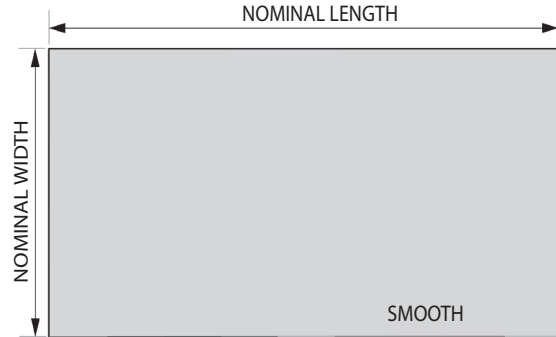


**SYSTEM COMPONENTS**

The Plycem Roof Sheathing System is composed of different specific and complementary products, which compose the system.

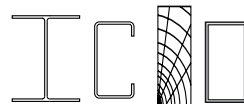

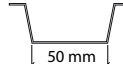

**Plycem Roof Sheathing**

Plycem boards are made from cellulosic fibers reinforced with cement. They come in a smooth or wooden finish, with a thickness of 14 mm minimum, 17 mm and even thicker boards such as 20, 22 and 25 mm can be used depending on the conditions of use and design; with 1219 mm width, by 2438 mm or 3048 mm length (ask for minimum production quantity and available stock). For Plycem Roof Sheathing technical data sheets please visit [www.plycem.com](http://www.plycem.com).


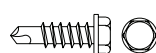
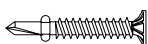


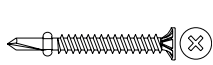
a=Ask for availability of designs in each country.

**Structure**

-  Sections and gauge according to the structural design.
-  Support track in longitudinal joints of straight-edge sheathing
-  Furring Channel or Omega profile  
24 Ga (min.) For fastening of roof tiles.
-  24 Ga (min) angular 25.4x25.4 mm

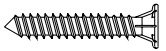
**Fastenings**

-  **LH 8-050 SCREW (structure)**  
Fastening between Studs or Tracks.
-  **MM 10-75 SCREW (structure)**  
Structural corner joints or intersections.
-  **PH8-162 SCREW (Plycem on steel)**  
Fastening of 14 mm or 17 mm Plystone board to metal structure.



**PH 10-175 SCREW (Plycem on steel)**

Fastening of 20, 22 or 25mm Plystone board to metal structure.



**PL 6-100 SCREW (Plycem on steel or wood)**

Fastening of the Plycem panel to the wood or 24 Ga metal structure.

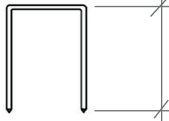


**PL 8-175 SCREW (Plycem on steel or wood)**

Fastening of the Plycem panel to the wood structure.



50 mm nail Fastening to wood structure



Metal staple 10 mm minimum  
Fastening of asphalt shingles



Asphalt felt #15 or the like

**Finishing Products**



SPACKLING MORTAR



SIKAFLEX 15LM, 1A Plus or the like

**Tools**



CAULKING GUN



PUTTY KNIFE



RASP



MEASURING TAPE



NAIL GUN



SCREWDRIVER



CIRCULAR SAW



LEVEL STRING ROPE



CONSTRUCTION LEVEL



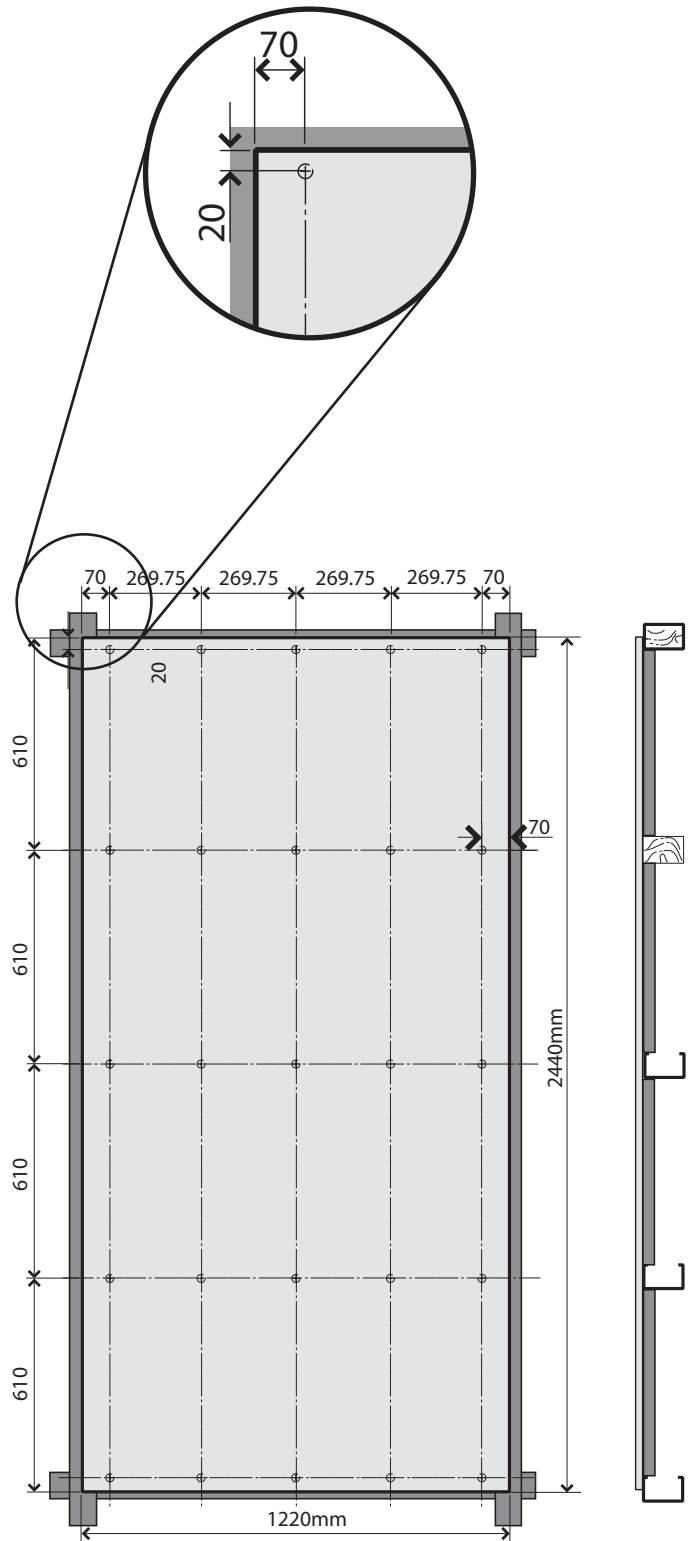
ROLLER



PAINT BRUSH

**INSTALLATION INSTRUCTIONS**

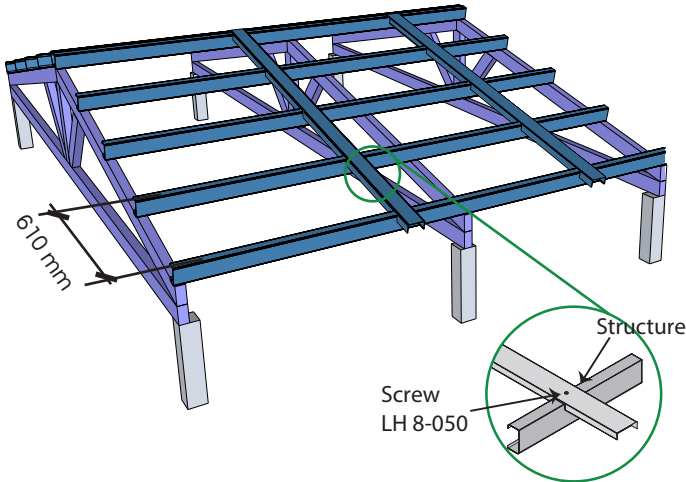
The metal frame requires supports for the panels of 2 feet of maximum separation. The space between screws is 305 mm maximum. The fastenings will be placed according to the fastening scheme.



**HIDDEN ROOF BASE**

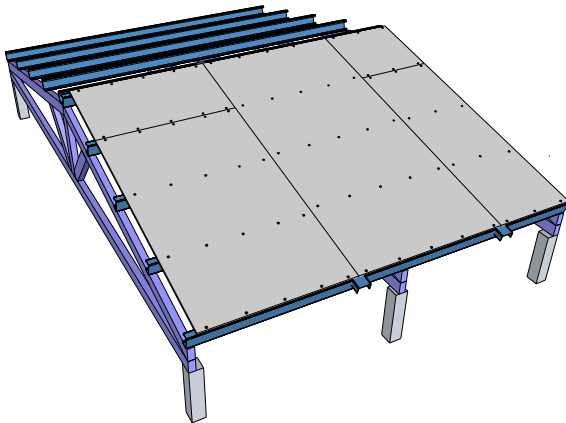
**STEP 1: Structure placement**

Attach the structure, using C-Profiles or metal tubes. You can also use semi-hard seasoned wood according to design.

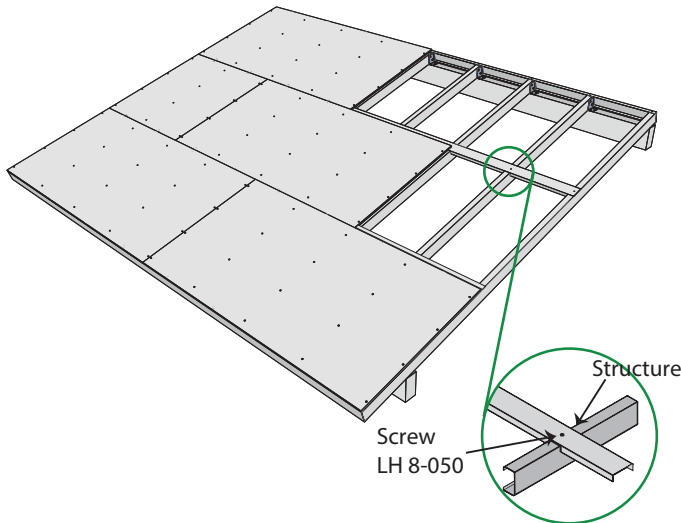


**STEP 2: Placement of Plycem roof sheathing**

Over the structure, place the Plycem roof sheathing. Place the board with their transversal joints locked or out of alignment.

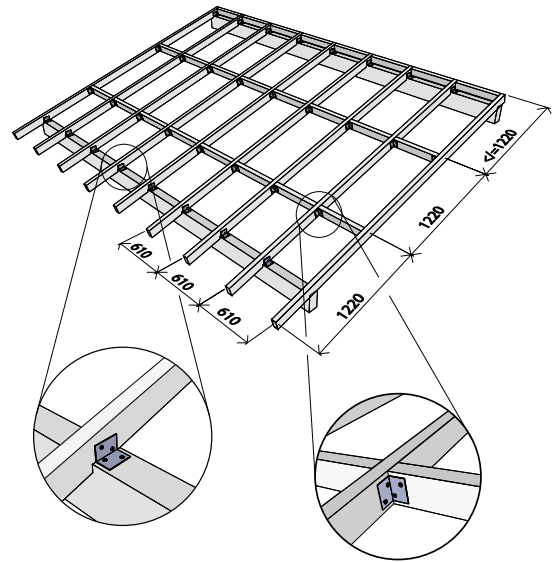


Structure with cut profile for joints on the longitudinal side of the board.

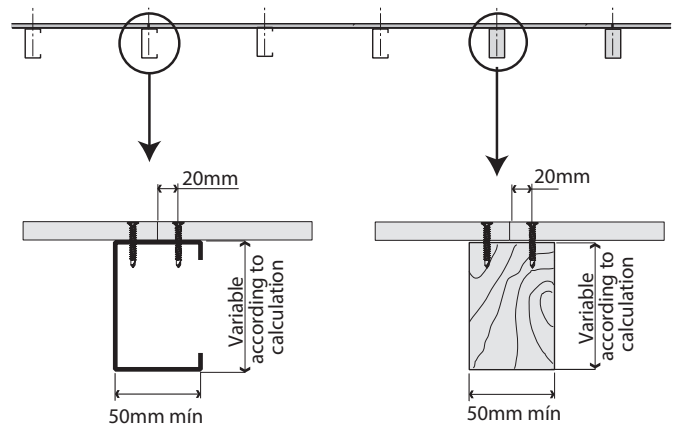


**Wood**

Note: Use dry and cured structural grade wood.



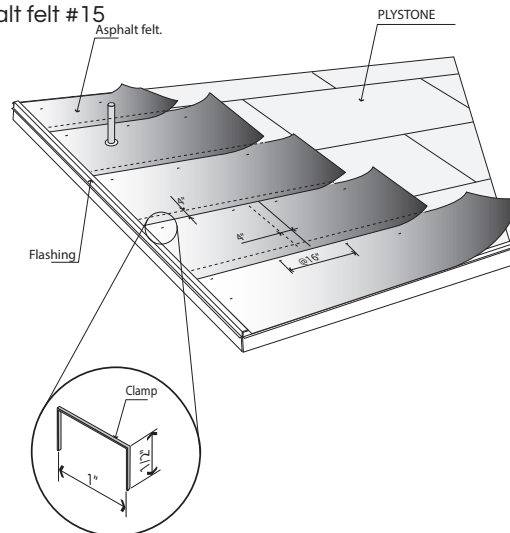
**Fastening on Structure**

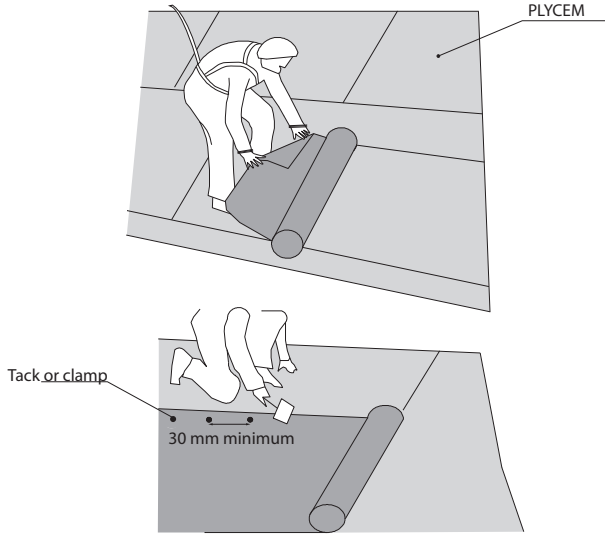


**STEP 3: Roof cover**

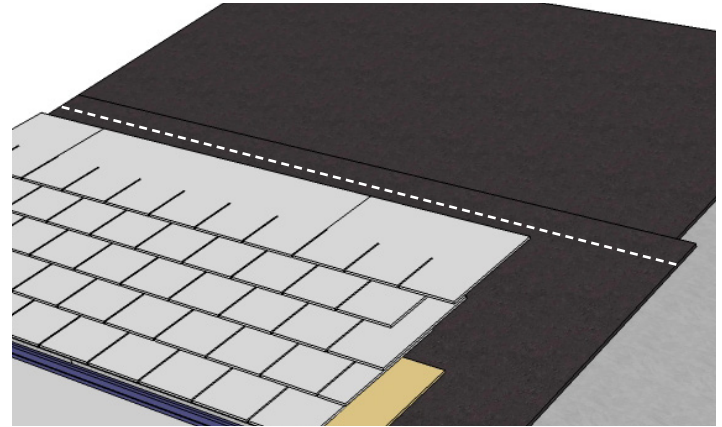
Asphalt shingles, flat shingles of fiber cement or other material, corrugated fiber cement or metal, clay shingles, etc.

Asphalt shingle, clay tile and other roofs require the installation of asphalt felt #15

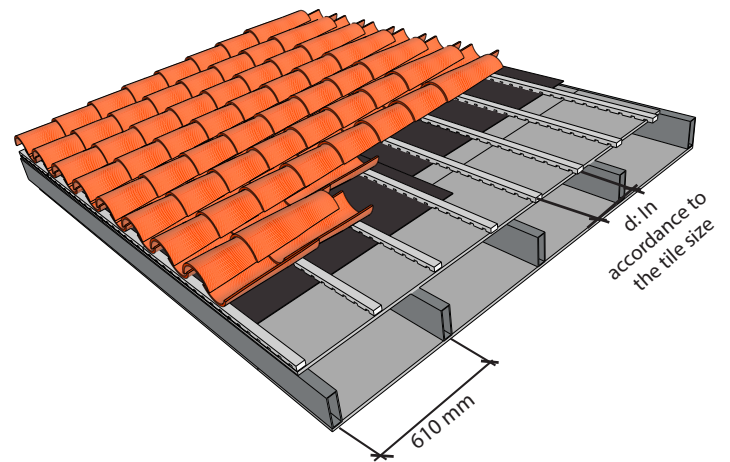




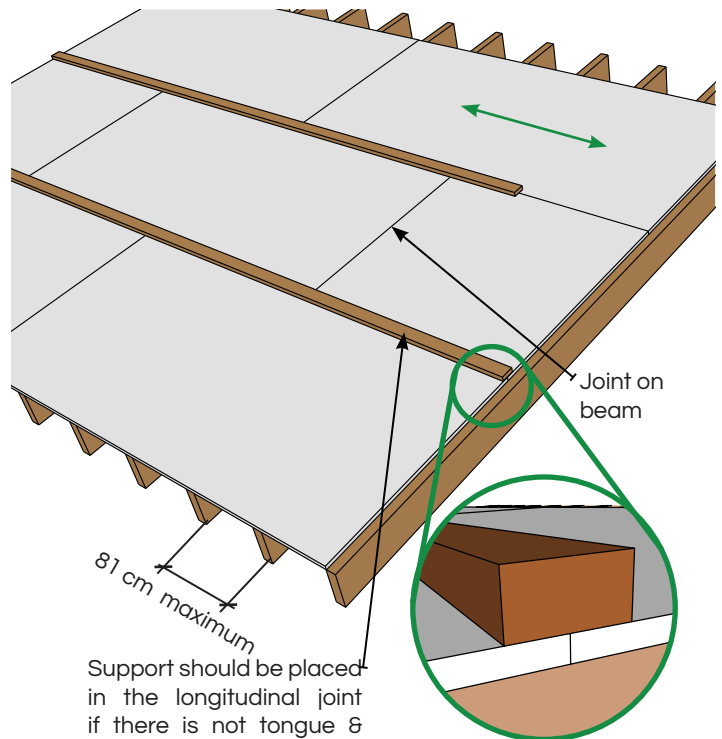
Fiber cement shingles or other material



Clay tile

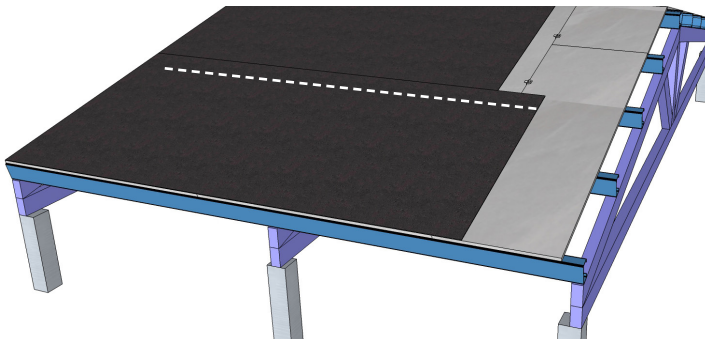


BASE FOR EXPOSED ROOF (COFFERED CEILINGS)



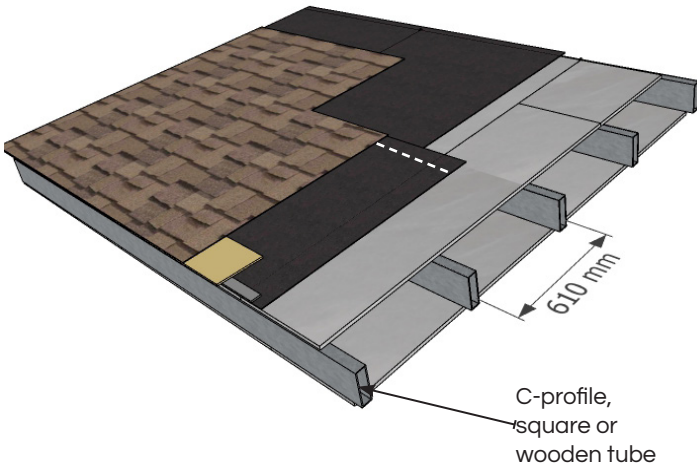
Support should be placed in the longitudinal joint if there is not tongue & groove joint.

Note: Plycem Roof Sheathings are not designed to be supported. Do not walk directly on them during installation or maintenance. Remember that for your safety you must always use wooden planks that have to be supported by at least 3 straps to walk on the Plycem Roof Sheathing system. Always wear Personal Protective Equipment (PPE) and apply the rules for working at heights. Do not store materials on the Plycem board.

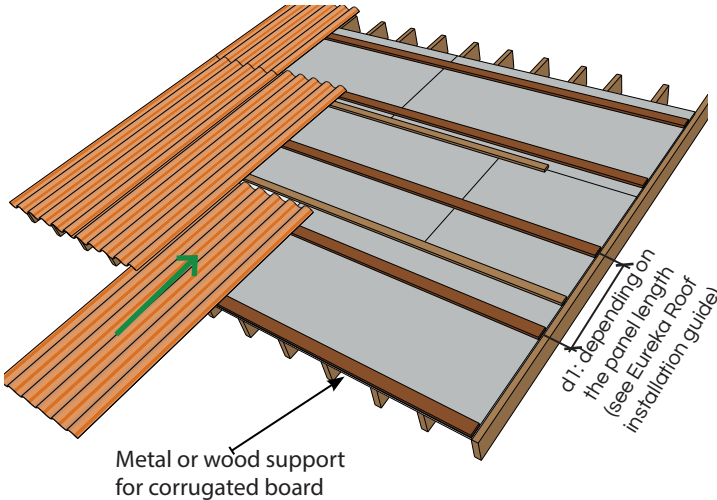


Once the asphalt felt has been installed, proceed to place the cover.

Asphalt Shingle

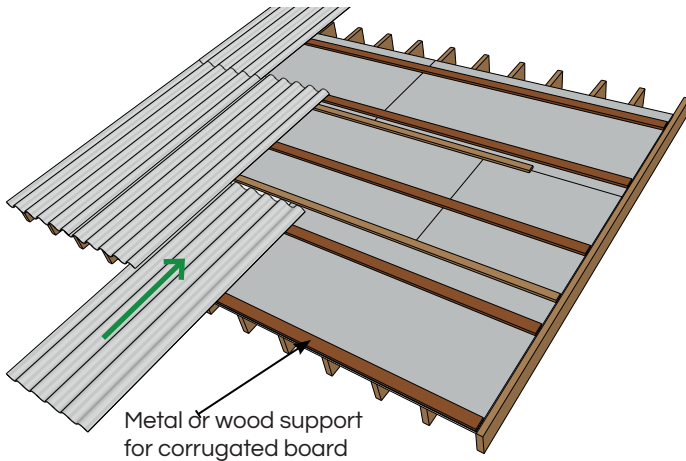


Corrugated Fiber Cement

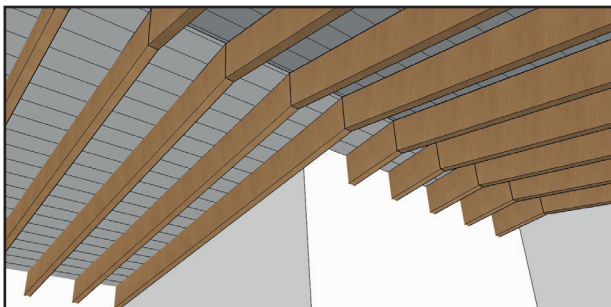
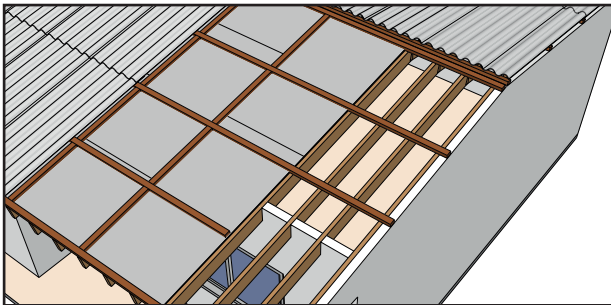


Note: For more detailed installation instructions, see the Plycem Roof Eureka Manual at [www.plycem.com](http://www.plycem.com).

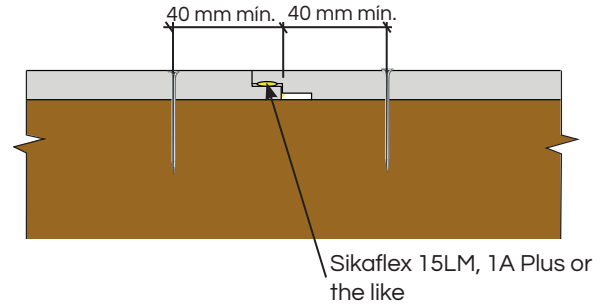
Metallic roof



Note: Make sure there is adequate ventilation between the roof cover and the roof sheathing.



Longitudinal joint in Plycem Slotted board (grooved)

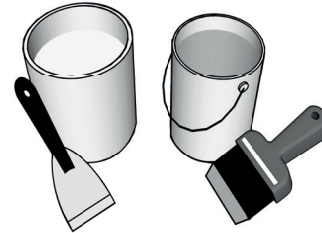


Note:

- Sealing the joints with Sikaflex 15LM, 1A Plus or the like on grooved Plycem Slotted
- Roof sheathing with waterproof or asphalt TPO or PVC roofing membranes, consult Plycem's technical department.

PAINT

On the ceiling base of the ceiling side it is recommended to use siliconized acrylic or polyurethane sealers to detail corners, joints and edges before applying a final coat of paint. To finish the Ceiling Base as an exposed ceiling, use various finishing systems with 100% acrylic paint, and patch the fixing points with an acrylic sealer on exposed bases.



This product is manufactured for outdoor and indoor uses (Category A, Class 1) in accordance to the INTE/ISO 8336:2018 standard.

TOLERANCE			APPARENT DENSITY
LENGTH	WIDTH	THICKNESS	
± 2	± 2	± 0.6	1.05 g/cm <sup>3</sup>

Recommendations and instructions given in this manual are an adequate guide for using and handling the product. This guide does not replace the responsibility of the responsible engineer, the structural engineer, or the supervisor of each project where the product is used. For projects where special measures or conditions are requested, the product will fit the plans and the design provided by the client, assigned constructor, or engineer. Installation instructions provided by the client will apply. PLYCEM does not

assume any responsibility for misuse of the product, incorrect handling, or use of materials different from the complementary materials recommended. PLYCEM does not help in the installation and management of the structural design. Therefore, this manual does not represent a co-responsibility in this regard, and its responsibility will be exclusively limited to the material.

The product warranty applies only if the installation instructions in this guide are followed. For warranty details visit [www.plycem.com/web/plycem/warranty](http://www.plycem.com/web/plycem/warranty)



Find us in:

[www.plycem.com](http://www.plycem.com)

[contactplycem@elementia.com](mailto:contactplycem@elementia.com)



/Experto Plycem

Manufactured by:

PLYCEM Construsistemas Costa Rica S.A.



PLYCEM Construsistemas El Salvador S.A.

